

PP 100

Technical datasheet

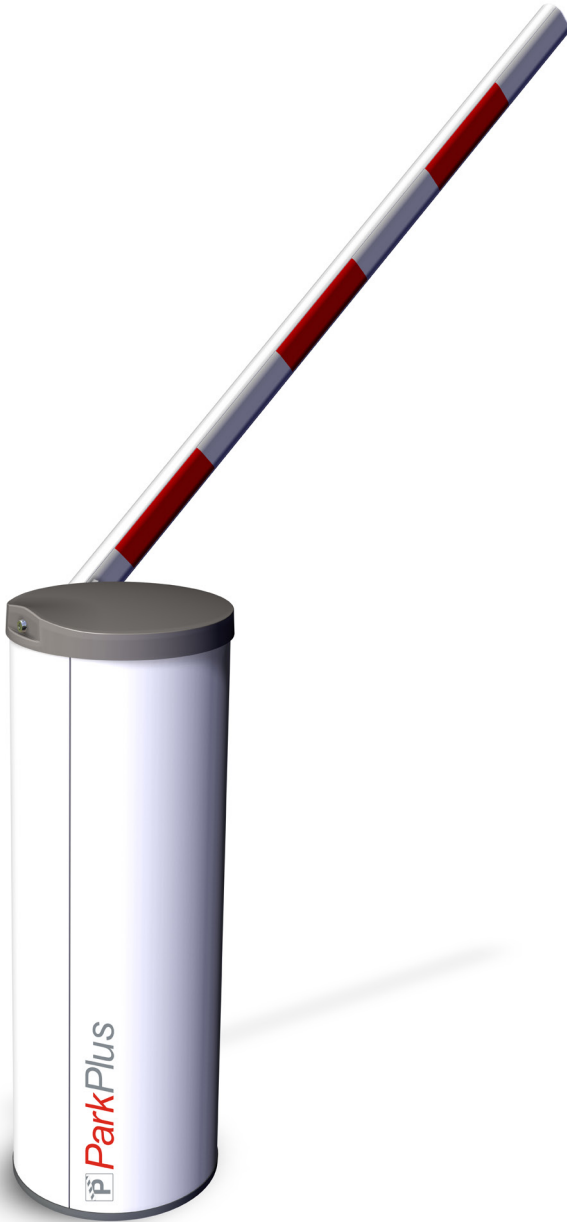
PP100-FT-EN-07

 **ParkPlus**

Access controlled...
Future secured

DESCRIPTION OF THE STANDARD EQUIPMENT

1. Aluminum cast sole plate.
2. Anodized aluminum frame.
3. Lacquered aluminum housing panels (*selection of 4 colors*). «Qualicoat» lacquering providing an excellent protection against corrosion.
4. Aluminum cast hood, locked by key.
5. Oval aluminum arm of section 80 x 54 mm, lacquered white (RAL 9010) with red reflective strips.
6. Drive shaft, diameter 30 mm, fitted on a geared motor and a lifetime lubricated bearing.
7. Automatic opening in case of power failure (AVR).
8. Electromechanical assembly including :
 - Reversible three-phase asynchronous gear motor, ensuring protection of the mechanism in case of forced lifting of the arm due to fraudulent action. Maintaining the arm in its 2 extreme positions (*open and closed*), is achieved by the frequency converter.
 - Frequency converter ensuring progressive accelerations and dampened decelerations, for movement without vibrations, reversal of direction without jolts (*reopening*) and increased protection of the mechanism.
 - Electronic limitation of the electromechanical assembly torque allowing immediate stopping of the arm during closing in case of an obstacle
 - Analog position sensor indicating the high and low positions and allowing control of the gear motor.
 - Balancing of the arm by means of a compensating spring, according to the weight of the arm.
9. Varnished electronic control board offering inputs, outputs and relays adjustable:
 - Adjustable opening and closing speed.
 - Arm position status (*open or closed*).
 - Swing-off arm sensor.
 - Technical fault information report.
 - Human/Machine interface to change or adjust the electronic control board parameters.
 - HTML interface via Ethernet connector.
 - Socket for presence detector (*2 loops*).



The **ParkPlus 100** barrier is particularly adapted for the access control of parking area.

STANDARD RAL COLORS



RAL 2000
Orange



RAL 3020
Traffic red



RAL 7016
Anthracite grey



RAL 9010 (*)
Traffic white

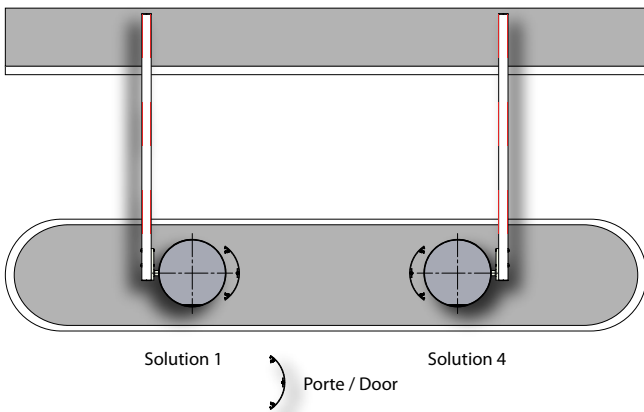
(*) Standard color. All other colors must be specified when ordering.

Note: These RAL references are available for free.

STANDARD TECHNICAL SPECIFICATION

Electrical power supply	Single phased 230 VAC - 50/60 Hz + ground. <i>Note: not to be connected to an isolated ground network or a high impedance earthed industrial network.</i>
Consumption	During motion: 150 W max. At rest: 44 W <i>(Depending of options)</i>
Motor	Three-phased 230 V/90 W
Free passage (L)	from 2 to 4 m, increments of 0,5 m
Opening time	Adjustable between 1,2 and 3 s <i>(Allowing the passage of 1500 vehicles/h)</i>
Operating temperature	Between -10 and +60°C.
Relative humidity	95% max, without condensation.
MCBF	Mean cycles between failures - 2.500.000, when respecting recommended maintenance.
Weight	50 kg <i>(without arm)</i> Arm: from 1,6 to 3,2 kg max
IP	55
Conform to European standards.	

CONFIGURATION



WORKS TO BE PROVIDED BY THE CUSTOMER

Note: respect the installation drawing.

- Adapted ground fastening.
- Power supply.
- Wiring towards eventual external peripherals.

OPTIONAL

1. Arm swing-off + arm swing off detection.
2. Rubber protection profile.
3. Electromechanical holding arm position in case of power failure (SR).
4. Tip support (Standard, adjustable, electromagnetic or electrolockable).
5. Hood & door intrusion information - Dry contact.
6. Push buttons box.
7. Key switch on housing *(Automatic / locked open / locked closed)*.
8. Radio Transmitter/Receiver.
9. Vehicle detection loop.
10. Presence detector for detection loop.
11. Photoelectric cell for closing-safety.
12. Cell assembly on housing.
13. Cell support post.
14. Ultrasonic detector under boom + protection cover.
15. Ethernet interface.
16. Extension card for inputs, outputs and Presence detector connector.
17. Totalling counter *(without or with Reset)*.
18. LED function pictograms on hood *(red, green and orange)*.
19. Arm LED lighting.
20. LED traffic lights *(Ø 100 or Ø 200 mm)*.
21. Support post for traffic lights.
22. Acoustic alarm 100 dB (±5) *(Fixed inside the housing)*.
23. Traffic sign Ø 300 mm *(STOP, One way,...)*.
24. Other RAL color.
25. Customer logo.
26. Raised base.
27. Power supply 120 V - 50/60 Hz.
28. Thermostatic heater for operation down to -45°C.

STANDARD DIMENSIONS (mm)

