

# BL 44

## Technical datasheet

BL44-FT-EN-10



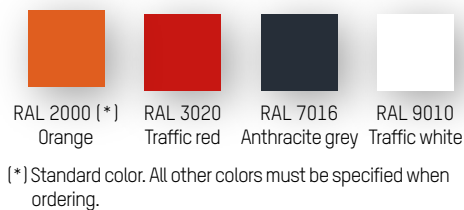
Access controlled...  
Future secured

## DESCRIPTION

1. Sheet metal body folded and welded, from 3 to 8 mm thick.
2. Lateral and frontal doors with peripheral sealing joint and lock, ensuring easy access to the mechanism. Two configurations are possible for their installation (*see illustration*).
3. Removable top cover, with lock and key.
4. Central oval reinforced section arm measuring 175 x 100 mm, in aluminium, white lacquered with red reflective strips.
5. Solid driving shaft for the arm, diameter 50 mm, mounted on 2 bearings lubricated for life.
6. Electromechanical assembly:
  - Reversible three-phase asynchronous gear motor, ensuring protection of the mechanism in the event of forced lifting of the arm due to fraudulent action.
  - Secondary transmission on gearwheel and sprocket wheel. Maintaining the arm in its two extreme positions (*open and closed*), as well as after a STOP command, is achieved by means of an electromagnetic brake.
  - Frequency inverter ensuring progressive accelerations and cushioned decelerations, for movement without vibration, direction inversion without jolts (*reopening*) and increased protection of the mechanism.
  - Electronic limitation of the electromechanical assembly torque allowing for the immediate stop of the arm during closing in the event of an obstacle.
  - Inductive limit switches.
  - Balancing of the arm by means of one or more compression springs, depending on the weight of the arm.
  - Lever for manual lifting of the arm (*except for the automatic opening option*).
7. Parameterisable electronic control board allowing for various control options and/or additional accessories.
  - Connecting terminal block on the control board:
  - Providing status of the arm position (*open or closed*)
  - Providing status of the presence detectors
  - Allowing for master-slave control of 2 barriers opposite each other (*movement of one barrier controlled by the other barrier*).
  - ...

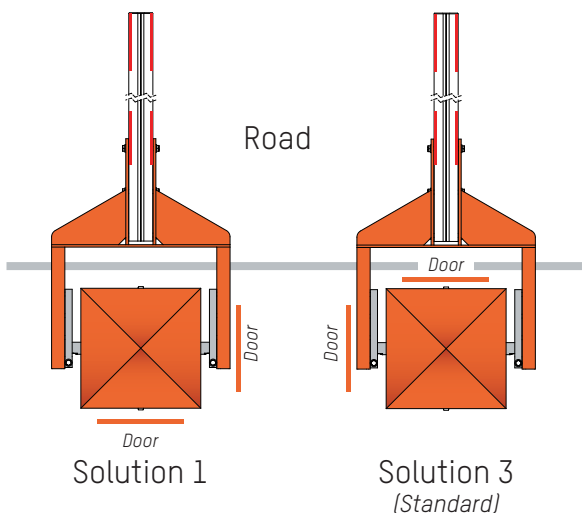
The BL 44 is a very rapid rising barrier, short- and medium-range with reinforced oval section arm, for installation on public roads: parking, traffic management, etc.

## STANDARD RAL COLORS



*Note:* These RAL references are available for free.

## CONFIGURATIONS



## STANDARD TECHNICAL SPECIFICATIONS

Electrical power supply	Single-phase 230 VAC - 50/60 Hz + ground <i>(Not to be connected to a floating network or to an industrial distribution network with a high impedance earth)</i>
Consumption	450 W
Motor	Three-phased asynchronous 250W
Reversible ring and pinion speed reducer, service factor 1.2	
Useful arm length (L)	2 to 4 m; in increments of 0.5 m
Operation not hampered by 120 km/h winds	
Ambient operating temperature	Between -20 and +50°C <i>(without optional heating)</i>
Tolerated relative humidity	95% without condensation
Minimum opening/closing time	2 s <i>(adjustable through the control board)</i>
Net weight <i>(without arm)</i>	250 kg
MCBF <i>(Mean Cycle Between Failure)</i>	In compliance with recommended maintenance: <b>3,000,000</b> cycles
IP	44
CE	EC compliant

## SURFACE TREATMENTS

- Zinc-coated internal mechanical parts
- Complete body *(housing, base plate, cover and doors)*: zinc dusting + epoxy structured  
Total thickness of the surface treatment exceeds 160 µm

## WORKS TO BE SUPPLIED BY THE CUSTOMER

- Adapted ground fastening.
- Power supply.
- Wiring towards eventual external peripherals.

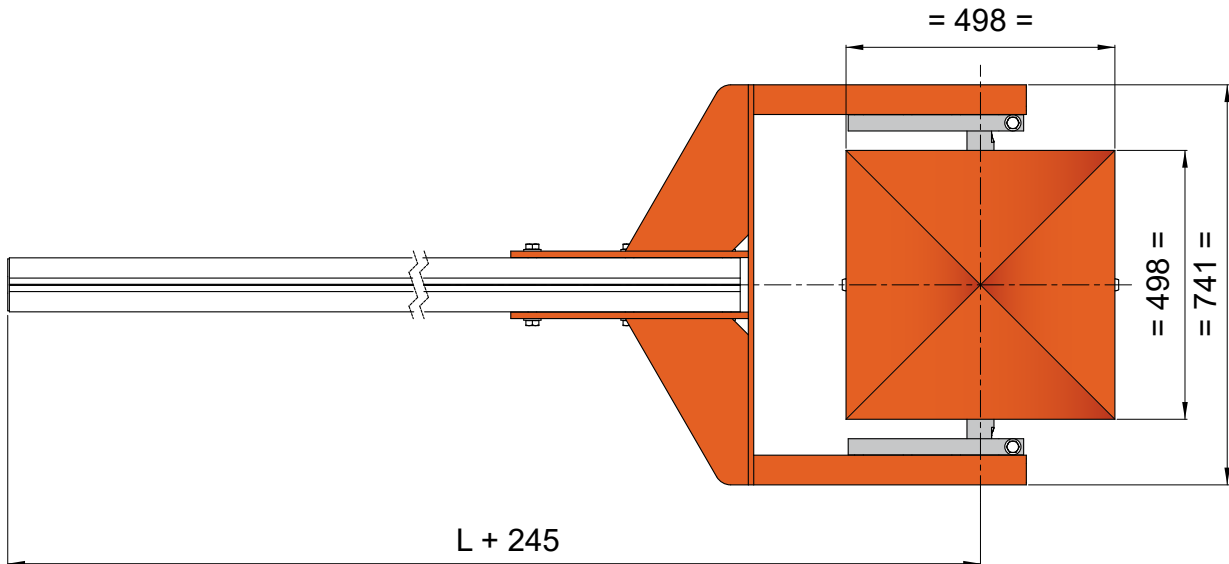
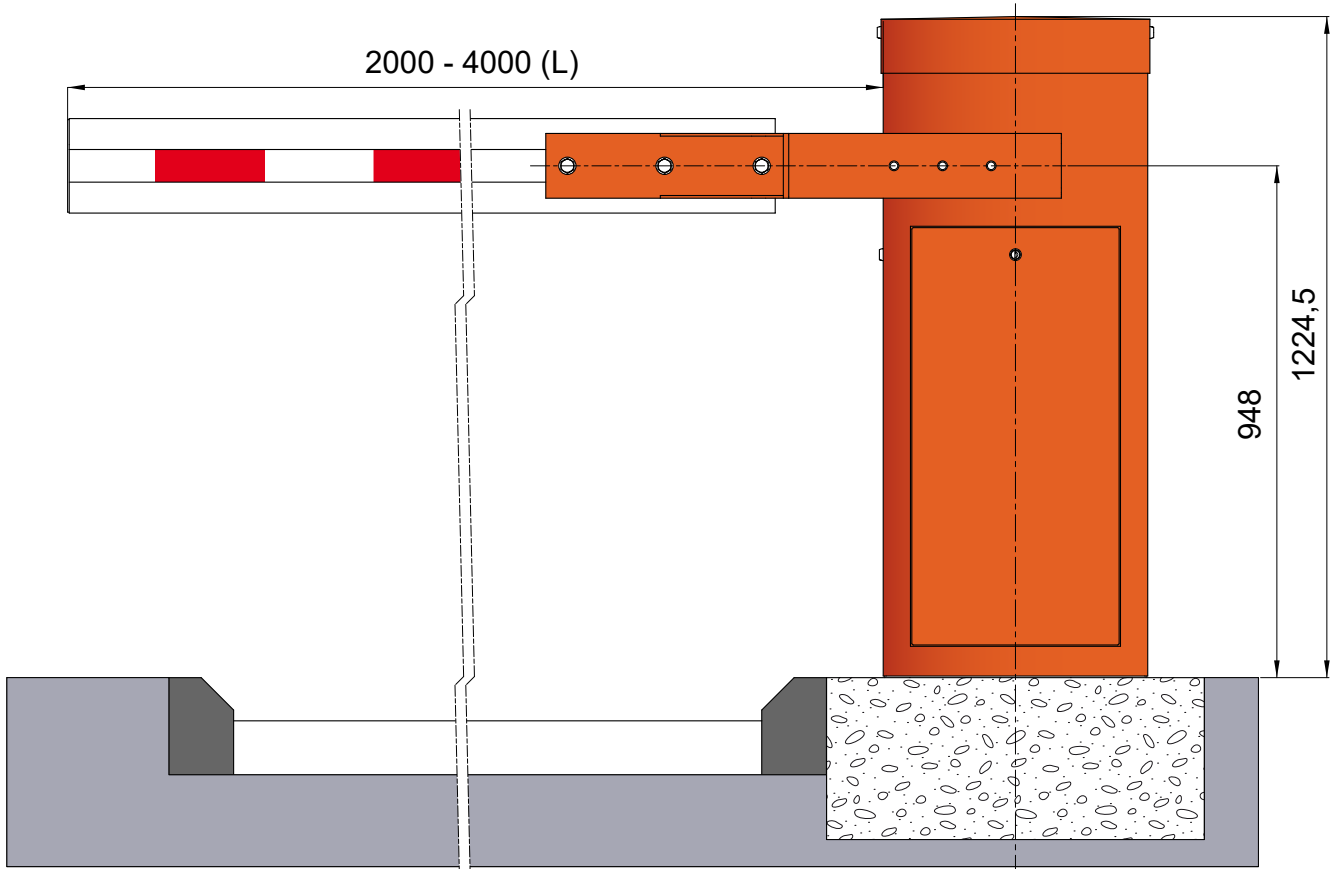
*Note: comply with the installation plan (CH6943-GB).*

## OPTIONS

1. Locking the arm in opened and/or closed position. The reaction in case of power cut *(locked or not)* must be specified when ordering
2. Double limit switches for information on the arm status in the event of power failure.
3. Tip support: fixed height tip, adjustable tip, electromagnetic tip, antivandalism tip, antivandalism + electromagnetic tip, folding tip and electrically lockable tip.
4. Rotating base with breaker pin in case of impact and report of housing position by dry contact.
5. Anti-vandalism belt, protection of the doors and hood.
6. Bolt cover - to protect arm from vandalism.
7. Hood and door intrusion information *(by dry contact)*.
8. Push-button box.
9. Fireman emergency opening - antivandalism.
10. Programmable clock *(weekly or yearly)*.
11. Lockable switch on housing.
12. Radio transmitter/receiver.
13. Detection loop.
14. Presence detector for inductive loops.
15. Photoelectric cell for opening, closing or automatically stopping the barrier arm.
16. Cell support post.
17. Fixating of the cell.
18. Ultrasonic detector in housing.
19. Electronic board for input/output CAN.
20. Totaling counter with reset button.
21. LEDs on arm.
22. Traffic lights (Leds) - alone or fixed on barrier.
23. Support post for traffic lights.
24. AS1049 card for third-party traffic signs.
25. Acoustic alarm 100 dB (±5) - fixed inside.
26. Aluminium traffic sign (Ø 300 mm).
27. LED flashing light on cover for arm movement signalisation.
28. Anti vandalism LEDs on hood.
29. Non standard RAL color.
30. Treatment for aggressive saline environment.  
*(Recommended when the barrier is installed within 10 km of the coast and may be subject to salt attack): sandblasting + Alu Zinc plating 80µm outside (40µm inside) + polyzinc 80µm + 80µm powder paint).*
31. Raised base.
32. 120 VAC - 60 Hz power supply.
33. Thermostatic 250 or 500 W heating for operation to -25 or -45°C.

*Note: for restrictions on the options, consult the rate table.*

## STANDARD DIMENSIONS (mm)



## International & Headquarters

### Automatic Systems SA

5 avenue Mercator  
1300 Wavre - Belgique  
Tel.: +32.(0)10.23.02.11

Email: [sales.asgroup@automatic-systems.com](mailto:sales.asgroup@automatic-systems.com)

### Belgium

#### Automatic Systems SA (Bruxelles & Wallonie)

5 avenue Mercator  
1300 Wavre - Belgique  
Tel.: +32.(0)10.23.02.11

Email: [sales.be@automatic-systems.com](mailto:sales.be@automatic-systems.com)

#### Automatic Systems Vlaanderen

Prins Boudewijnlaan 17 Unit 9A  
2550 Kontich - Belgique  
Tel.: +32.(0)3.870.59.59

Email: [sales.be@automatic-systems.com](mailto:sales.be@automatic-systems.com)

### France

#### Automatic Systems SAS - Persan

22, rue du 8 mai 1945  
95340 Persan - France  
Tel.: +33.(0)1.30.28.95.50

Email: [sales.fr@automatic-systems.com](mailto:sales.fr@automatic-systems.com)

#### Automatic Systems SAS - Suresnes

3 Rue Salomon De Rothschild  
92150 Suresnes  
Tel.: +33.(0)1.41.11.40.20

Email: [sales.fr@automatic-systems.com](mailto:sales.fr@automatic-systems.com)

#### Automatic Systems SAS - Lyon

Immeuble Le Québec  
685, rue Juliette Récamier  
69970 Chaponnay - France  
Tel.: +33.(0)1.30.28.95.50

Email: [sales.fr@automatic-systems.com](mailto:sales.fr@automatic-systems.com)

### Spain

#### Automatic Systems Española SAU

Calle Bolivar, nº 24 Portal B 2º D  
28045 Madrid - España  
Tel.: +34.(0)91.659.07.66

Email: [sales.ca@automatic-systems.com](mailto:sales.ca@automatic-systems.com)

#### Automatic Systems Española SAU

Calle Vallés, 52-54 - El Prat de Llobregat  
08820 Barcelona - España  
Tel.: +34.(0)93.478.77.55

### Great Britain

#### Automatic Systems Equipment UK Ltd.

Units 18 - 19 Babbage House  
Northampton Science Park  
Kings Park Road  
Northampton  
NN3 6LG - UK  
Tel.: +44 (0)16.04.65.42.10

Email: [sales.uk@automatic-systems.com](mailto:sales.uk@automatic-systems.com)

### Canada

#### Automatic Systems America Inc.

4005 Matte blvd., unit D  
Brossard J4Y 2P4 - Canada  
Tel.: +1 450 659 07 37

Email: [sales.nam@automatic-systems.com](mailto:sales.nam@automatic-systems.com)

### United States

#### Automatic Control Systems Inc.

45 Rockefeller Plaza, suite 2000  
New York City, NY 10111 - USA  
Tel.: +1 516 944 94 98

E-mail: [sales.nam@automatic-systems.com](mailto:sales.nam@automatic-systems.com)