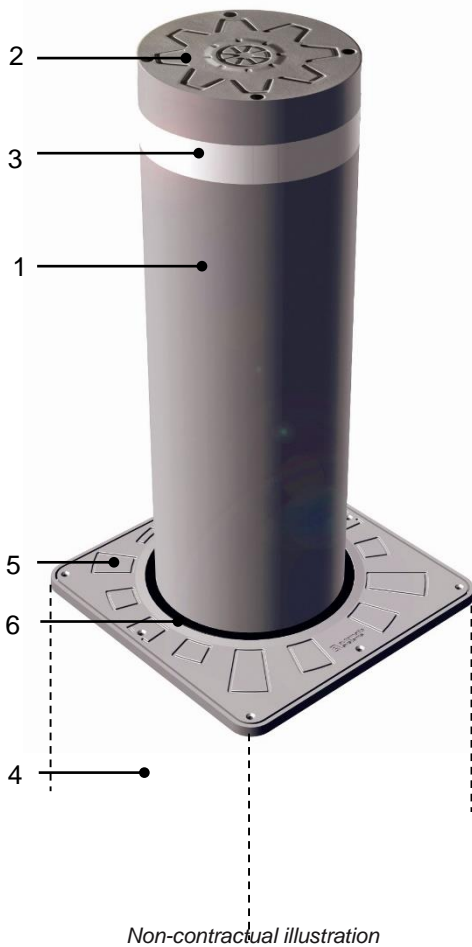


Description



1. AISI 304 brushed stainless steel fixed obstacle of 275 mm diameter, 6 mm thick.
2. Upper ring in aluminium sheeting.
3. 56 mm white reflective band.
4. Galvanised steel casing to be sealed in a concrete foundation.
5. Cover plate in aluminium sheeting.
6. Synthetic watertightness joint between the obstacle and the fixed structure.

The bollards are obstacles to the passage of vehicles which preserve freedom of access for pedestrians.

With a major dissuasive effect in upright position, they are designed for the following among others:

- Security and access control for sensitive sites.
- Management of pedestrian zones and urban circulation, forming a dissuasive marker for vehicles which poses no restrictions for pedestrians.
- Protection of building windows and façades.
- Harmonious combination with the automatic and manual bollards of the range, through their characteristics identical to the latter (dimension, finish, resistance).

Surface Protection

Bollard: Obstacle: AISI 304 stainless steel.
 Crown + cover plate: light grey RAL 9006.
 Casing: hot galvanization.

Options

- Indicator lights (LEDs in the centre and the perimeter of the crown) – flashing with or without warning given prior to the operation of an adjacent mobile obstacle.
- Antirust crown for the perimeter of the cover plate.

Technical characteristics

- Height above ground: 500 – 600 – 800 mm.
- Resistance to impact, with permanent deformation: 250,000 joules.
- Max. relative humidity: 95%, without condensation.
- Weight: ± 150 kg.
- IP67.

Work to be provided by the client

- Sealing of the casing in a concrete foundation.

Standard dimensions (mm)

