

Description

1. High-rigidity self-supporting frame: integrates an electromechanical drive for each movable obstacle, presence detection, safety sensors and electronic control units.
2. Painted steel panels: standard colour: RAL 7016, Anthracite grey. Other colours optional. These hinged panels can be opened to an angle of 90° to allow easy access to the electromechanical drive and to the electronic control units. Each of these panels is closed by 2 security locks.
3. Front and rear end sections: made of AISI 304L stainless steel sheet, brushed finish. These "rack type" end sections integrate the users' passage control system (badge reader, ticket scanner, etc.) in one or both directions.
4. Retractable glass obstacles: 12mm thick, clear safety glass sliding into the housing for each opening movement. Height from floor (standard): 1700mm.
5. Fixed glass leaves: clear anti-intrusion toughened glass fixed leaf located above the gate's central element between two access walkways to prevent any fraud by climbing on the gate.
6. Security sensors: ensure users' control and directional detection.
7. Safety sensors: ensure safety of passage between the movable obstacles.
8. Motor and control: The electronic unit that controls the PNG includes:
 - a general connection block
 - 24V DC power supply
 - a programmable logic controller
 - a variable speed controller
 Motorisation is achieved by an asynchronous motor via variable speed controller that controls torque and speed of the motor. This system ensures rapid movements with progressive acceleration and deceleration at the end of the movement. An anti-panic opening device is provided to open the obstacles automatically in case of power failure.
9. Orientation and information pictograms provided in both passage directions.

The PNG 392 TWIN security entrance lane ensures rapid, efficient and safe anti-fraud access control of pedestrians in both directions of passage.

The PNG 392 TWIN enables an independent access control of two walkways (450 to 550 mm wide each) for narrow lobbies and corridors.

Its particularly elaborate design makes it easily adaptable to any type of architectural environment. All materials used have been carefully selected for their resistance, endurance and safety qualities, the result of Automatic Systems' engineering experience accumulated over many years.

The PNG 392 TWIN automatic gate consists of three main elements: a central element integrating the principal functions of physical access control, and two end sections that form the walkway and are customised to the type of reading device selected

Precautions for use

- For security reasons, children (user smaller than 1 m tall) must be supervised by an adult at all times when in the vicinity of the unit and during passage through the lane
- A child must absolutely precede the accompanying adult when lane passage is required
- If habitual use by children is anticipated, Automatic Systems recommends the addition of all options required to optimize the level of protection.

Anti-corrosion treatment

All mechanical parts are treated against corrosion by electrozinc.

Standard technical characteristics

- ADA compliant.
- Electrical power supply: 230V single-phase, 50-60 Hz.
(do not connect to a floating network or to high impedance earthed industrial distribution network)
- Geared motor: 0.12 kW.
- Torque limiter: electronic.
- Speed reduction gearbox: reversible type, life-lubricated.
- Speed adjustment: achieved through electronic variable speed controller.
- Nominal power consumption: 700 W.
- Ambient operating temperature: 0° to + 50°C.
- Net weight: 330 kg.
- Opening time: 0,7 s (out of action time of the reader).
- Closing time: 0,8 s (out of action time of the reader).
- This equipment is IP40.
- MCBF (Mean Cycles Between Failures), when respecting recommended maintenance: 5,000,000 cycles.
- EC compliant.
- 5 Year Warranty* applicable after sales agreement.
* As per our general terms & conditions of sale and preventive maintenance programs.
- Note 1: See warranty details in our Terms & Conditions of sale.
- Note 2: Maintenance operations are detailed in the technical manuals.

Options

- 120V - 60Hz - single phase version.
- Protective silicone strip on the obstacles' edges.
- Mobile leaf height: 1000, 1200 or 1900 mm and fixed leaf with equivalent height.
- Various possibilities for integration of an access control system (ticket scanner, badge reader, coin acceptor...).
- Other RAL colour for panels (reference number to be supplied with order).
- Sand-blasted logo on retractable/fixed glass leaves.
- Adhesive logo.
- Stainless steel panels.
- Heating system for ambient temperatures down to -20°C.

Work to be supplied by the customer

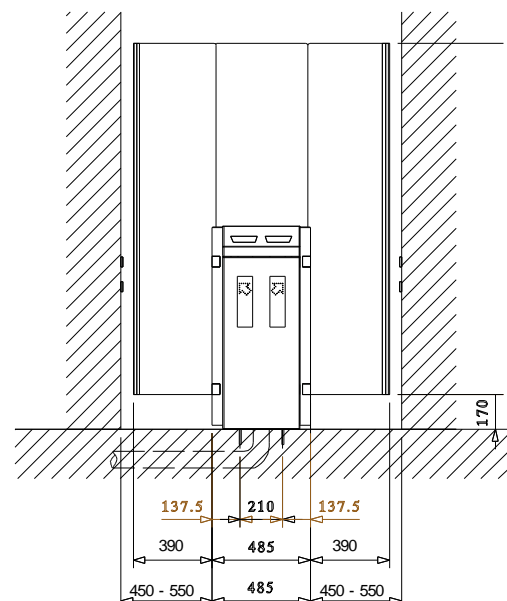
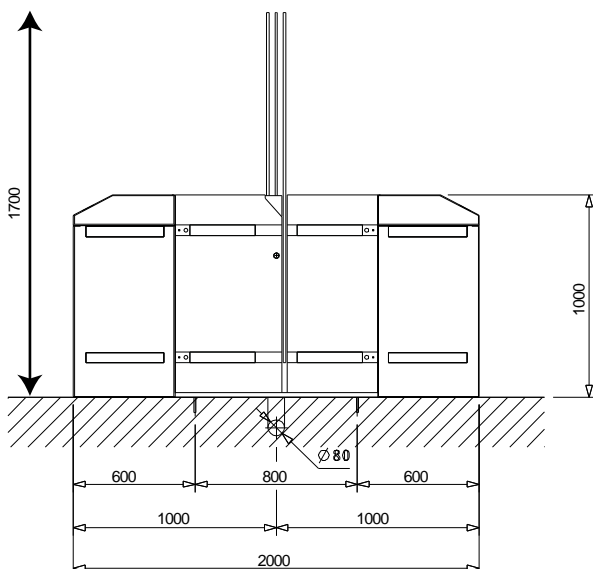
- Power supply.
- Electrical power supply and connection wiring.
- Masonry work.

Installation principle

The PNG 392 TWIN is installed between two walls or guardrails.

The equipment operates two independently retractable glass leaves.

Standard dimensions (mm)



With a constant view of adopting the latest technological developments, Automatic Systems reserves the right to amend the information above, at any time.