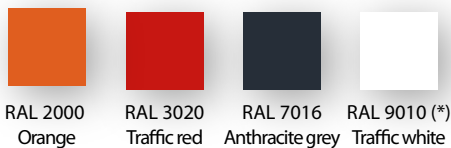


Combining speed, ease of use and reliability, the **BL 15** is the rising barrier designed for the access control of public.

## DESCRIPTION OF THE STANDARD EQUIPMENT

1. **Aluminum cast sole plate.**
2. **Anodized aluminum frame.**
3. **Lacquered aluminum housing panels** (selection of 4 colors). «Qualicoat» lacquering providing an excellent protection against corrosion.
4. **Aluminum cast hood**, locked by key.
5. **Oval aluminum arm** of section 80 x 54 mm, **lacquered white (RAL 9010) with red reflective strips.**
6. **Drive shaft**, diameter 30 mm, fitted on a geared motor and a lifetime lubricated bearing.
7. **Automatic opening in case of power failure (AVR).**
8. **Electromechanical assembly** including :
  - **Reversible three-phase asynchronous gear motor**, ensuring protection of the mechanism in case of forced lifting of the arm due to fraudulent action. Maintaining the arm in its 2 extreme positions (open and closed), is achieved by the frequency converter.
  - **Frequency converter** ensuring progressive accelerations and dampened decelerations, for movement without vibrations, reversal of direction without jolts (reopening) and increased protection of the mechanism.
  - **Electronic limitation of the electromechanical assembly torque** allowing immediate stopping of the arm during closing in case of an obstacle
  - **Analog position sensor** indicating the high and low positions and allowing control of the gear motor.
  - **Balancing of the arm by means of a compensating spring**, according to the weight of the arm.
9. Varnished **electronic control board** offering inputs, outputs and relays adjustable:
  - Adjustable opening and closing speed.
  - Arm position status (open or closed).
  - Swing-off arm sensor.
  - Technical fault information report.
  - Human/Machine interface to change or adjust the electronic control board parameters.
  - HTML interface via Ethernet connector.
  - Socket for presence detector (2 loops).

## STANDARD RAL COLORS



RAL 2000 Orange    RAL 3020 Traffic red    RAL 7016 Anthracite grey    RAL 9010 (\*) Traffic white

(\*) Standard color.

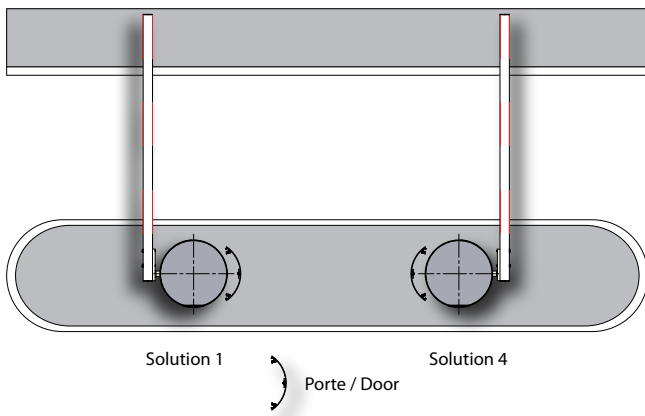
All other colors must be specified when ordering.

**Note:** These RAL references are available for free.

## STANDARD TECHNICAL SPECIFICATION

Electrical power supply	Single phased 230 VAC - 50/60 Hz + ground. <i>Note: not to be connected to an isolated ground network or a high impedance earthed industrial network.</i>
Consumption	During motion: 150W max. At rest: 44W <i>(Depending of options)</i>
Motor	Three-phased 230V/90W
Free passage (L)	from 2 to 4m, increments of 0,5m
Opening time	Adjustable between 1,2 and 3s <i>(Allowing the passage of 1500 vehicles/h)</i>
Operating temperature	Between -10 and +60°C.
Relative humidity	95% max, without condensation.
MCBF	Mean cycles between failures - 5.000.000, when respecting recommended maintenance.
Weight	50 kg <i>(without arm)</i> Arm: from 1,6 to 3,2 kg max
IP	55
Conform to European standards.	

## CONFIGURATION



## WORKS TO BE PROVIDED BY THE CUSTOMER

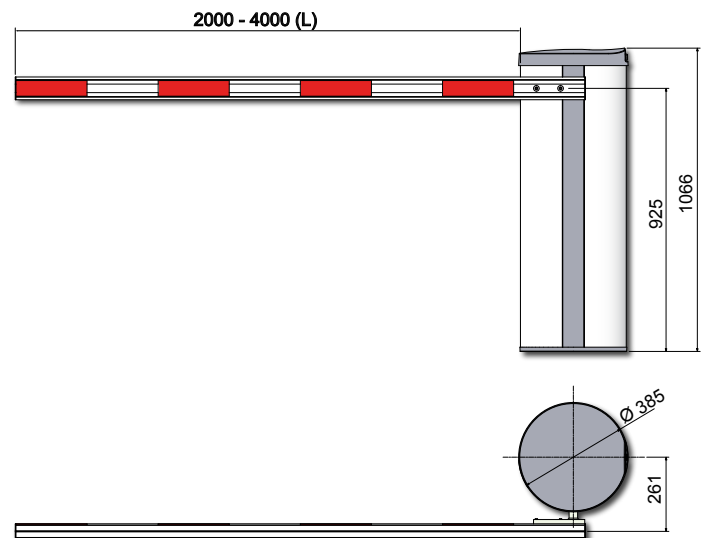
Note: respect the installation drawing.

- Adapted ground fastening.
- Power supply.
- Wiring towards eventual external peripherals.

## OPTIONAL

1. Arm swing-off + arm swing off detection.
2. Rubber protection profile.
3. Electromechanical holding arm position in case of power failure (SR).
4. Tip support *(Standard, adjustable, electromagnetic or electrolockable)*.
5. Hood & door intrusion information - Dry contact.
6. Push buttons box.
7. Key switch on housing *(Automatic / locked open / locked closed)*.
8. Radio Transmitter/Receiver.
9. Vehicle detection loop.
10. Presence detector for detection loop.
11. Photoelectric cell for closing-safety.
12. Cell assembly on housing.
13. Cell support post.
14. Ultrasonic detector under boom + protection cover.
15. Ethernet interface.
16. Extension card for inputs, outputs and Presence detector connector.
17. Totaling counter *(without or with Reset)*.
18. LED function pictograms on hood *(red, green and orange)*.
19. Arm LED lighting.
20. LED traffic lights *( $\varnothing 100$  or  $\varnothing 200$  mm)*.
21. Support post for traffic lights.
22. Acoustic alarm 100dB ( $\pm 5$ ) *(Fixed inside the housing)*.
23. Traffic sign  $\varnothing 300$  mm *(STOP, One way,...)*.
24. Other RAL color.
25. Customer logo.
26. Raised base.
27. Power supply 120V - 50/60 Hz.
28. Thermostatic heater for operation down to -45°C.

## STANDARD DIMENSIONS (MM)



With a constant view of adopting the latest technological developments, Automatic Systems reserves the right to amend the information above, at any time.