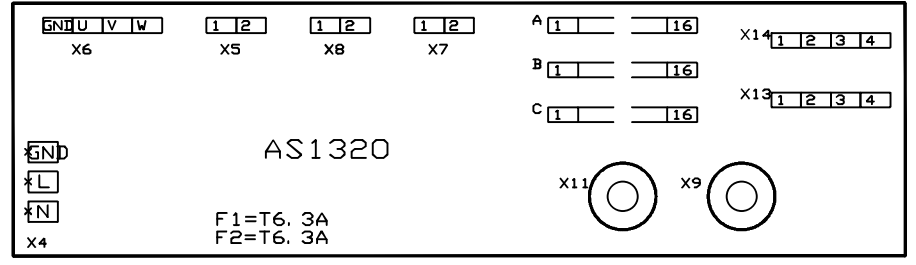
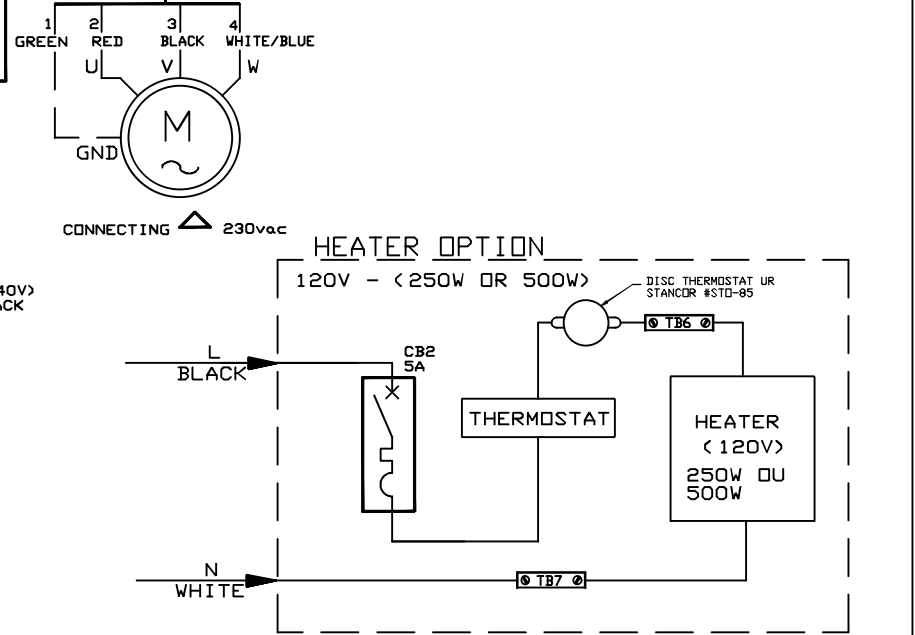
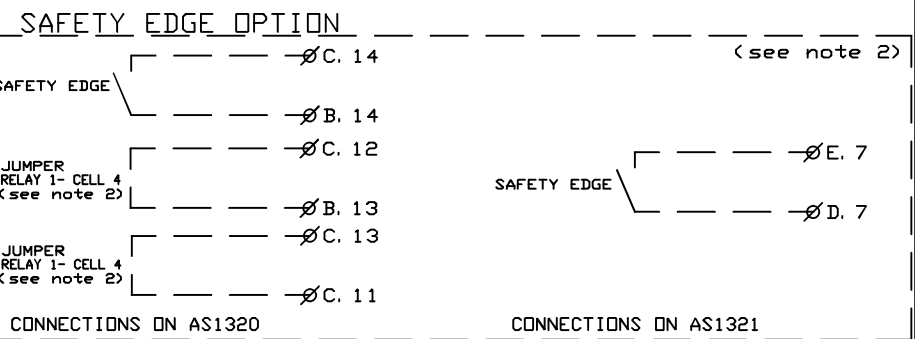
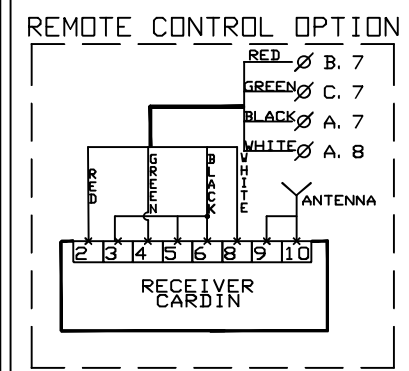


DIP SWITCH SETTING

BARRIER 4M OR LESS		BARRIER OVER 4M	
ON	OFF	ON	OFF
1 50Hz	1 50Hz	1 50Hz	1 50Hz
2 SILENT OFF	2 SILENT OFF	2 SILENT OFF	2 SILENT OFF
3 CT LOAD	3 CT LOAD	3 CT LOAD	3 CT LOAD
4 JOG 5 Hz	4 JOG 10 Hz	4 JOG 10 Hz	4 JOG 10 Hz
5 RELAY FLT	5 RELAY FLT	5 RELAY FLT	5 RELAY FLT
6 A1 OFFSET OFF	6 A1 OFFSET OFF	6 A1 OFFSET OFF	6 A1 OFFSET OFF
7 AUTO RESET OFF	7 AUTO RESET OFF	7 AUTO RESET OFF	7 AUTO RESET OFF
8 HIGH FREQUENCY OFF	8 HIGH FREQUENCY OFF	8 HIGH FREQUENCY OFF	8 HIGH FREQUENCY OFF



NOTES:
1-CONFIGURABLE ON AS1320, FOR OUTPUT MENU SEE MANUAL.
2-ANY OF THE OTHER 2 RELAYS CAN BE USED IF FREE.
OR AS1321 RELAYS
3-JUMPER INSTALLED PER DEFAULT. REMOVE JUMPER TO ACTIVATE STOP BUTTON



MATERIAU/MATERIAL		N/A	
FABRICATION		N/A	
TRAITEMENT/TREATMENT		FINI/FINISH	
N/A		N/A	
Nb. /App.	POIDS/WEIGHT	SURFACE	
N/A	N/A	N/A	
LES INFORMATIONS CONTENUES SUR LES DESSINS DE ASA Inc. SONT CONFIDENTIELLES ET SONT LA PROPRIÉTÉ DE ASA Inc. TOUTES REPRODUCTIONS, DISTRIBUTIONS OU UTILISATIONS SONT INTERDITES SANS LA PERMISSION ÉCRITE DE ASA Inc.			
INFORMATION DISCLOSED HERE IS CONFIDENTIAL AND IS THE PROPERTY OF ASA Inc. ANY REPRODUCTION, DISTRIBUTION OR USE IS PROHIBITED WITHOUT A WRITTEN CONSENT BY ASA Inc.			
SIMILAR PARTS			

FICHER FILENAME	NAM-BL4X-EL-02-EN.DWG		
EBARBER & ENLEVER LES ARÊTES VIVES BREAK ALL SHARP EDGES AND CORNERS			
LES DIMENSIONS SONT EN POUÇES. DIMENSIONS ARE IN INCHES			
TOLERANCES			
.XXXX	± .0005		
.XXX	± .005		
.XX	± .01		
FRACT.	± 1/64		
ANGLES	± 1/2°		
SAUF SI INDICUÉS UNLESS OTHERWISE NOTED			

REV.	DATE	MODIFICATIONS/CHANGES	PAR/BY
E	2015/02/24	AJUSTEMENT COULEUR DE FILS	JPNF
D	2014/08/25	GENERAL REVISION	SDS
C	2013/05/01	MODIFICATION CODE THERMOSTAT	JPS
B	2013/03/12	OUTPUT 10 AND 11 MODIFICATION	JPS

automatic systems america inc.

TITRE BL4X 120VAC - AS1320 WITHOUT BRAKE
TITRE CONNECTION DIAGRAM

DESSINE PAR JPS ECHELLE/SCALE N/A DATE 2013/02/07 FEUILLE/SHEET 1 DE/DF 1
VERIFIÉ PAR SSA NO. DE DESSIN/DWG. NO. NAM-BL4X-EL-02-EN REV. E