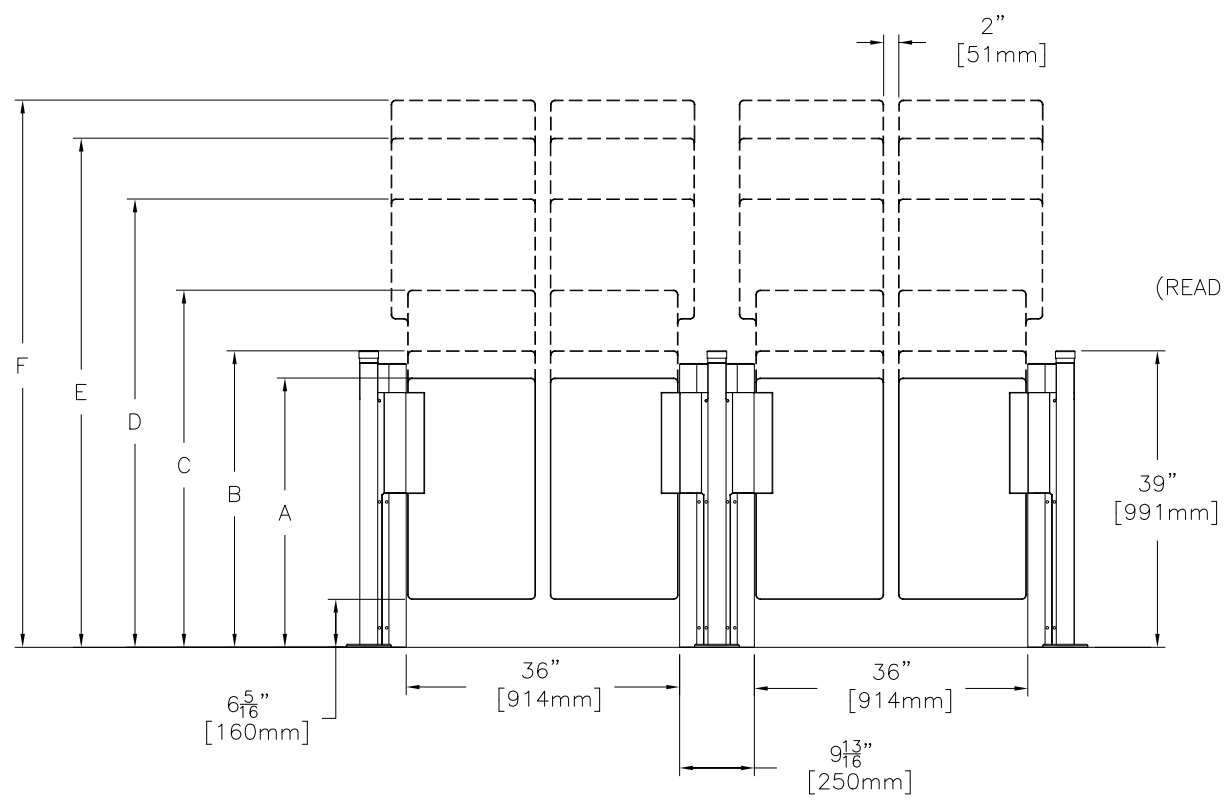
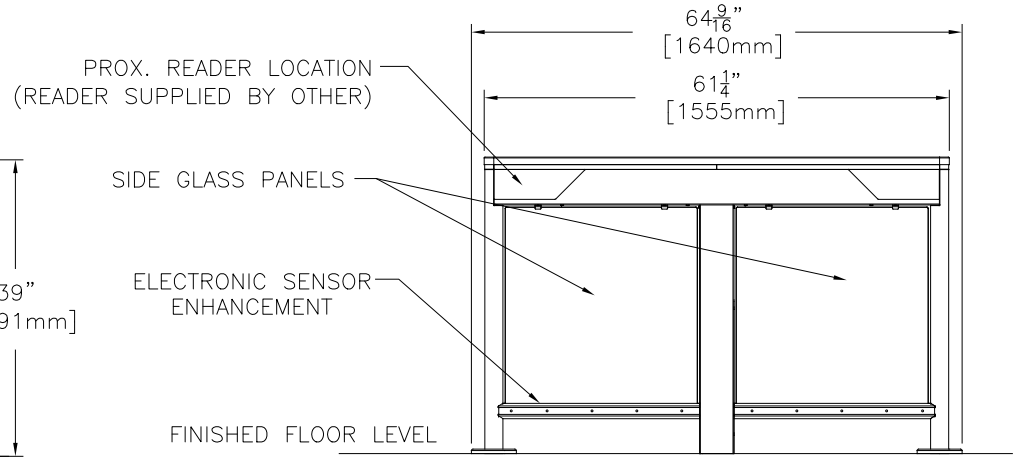


OBSTACLE HEIGHT		
A	35 7/16" [900mm]	STD
B	39" [991mm]	OPT
C	47" [1194mm]	OPT
D	59" [1499mm]	OPT
E	67" [1702mm]	OPT
F	72" [1829mm]	OPT



ENTRANCE VIEW



NOTES:
1-FOR ELECTRICAL CONNECTIONS, CONDUITS AND TEMPLATE LAYOUT REFER TO NAM-SLIM-EL-02-EN.
2-FOR READER DIMENSIONS REFER TO NAM-SLIM-DS-01-EN.

AUTOMATIC SYSTEMS MAKES NO REPRESENTATION AS TO THE PROPER POSITIONING OF THE SECURITY ENTRANCE LANES AT THE INSTALLATION LOCATION. ESTABLISHING THE LAYOUT AND PLACEMENT OF THE UNIT(S) AND DETERMINING COMPLIANCE WITH THE APPLICABLE BUILDING CODES, OTHER CODES, LAWS AND REGULATIONS IS THE SOLE RESPONSIBILITY OF THE PURCHASER. INSTALLATION MUST BE PERFORMED BY A QUALIFIED INSTALLER FOLLOWING MANUFACTURER'S INSTRUCTIONS, OTHERWISE AUTOMATIC SYSTEMS' WARRANTIES MAY BE VOID.

REV	DATE	MODIFICATIONS/CHANGES	PAR/BY

MATERIAU/MATERIAL		
TRAITEMENT/TREATMENT		
FINI/FINISH		
NB./App.	POIDS/WEIGHT	SURFACE

LES DIMENSIONS SONT EN POUÇES / DIMENSIONS ARE IN INCHES	
TOLERANCES	
.XXX	± .005
.XX	± .010
.X	± .015
FRAC.	± 1/32
ANGLES	± 1/2°
SAUF SI INDIQUÉS UNLESS OTHERWISE NOTED	

EBARBER & ENLEVER LES ARÊTES VIVES. DIM SELON ASME Y14.5 1994. NE PAS MESURER SUR LE DESSIN. BREAK ALL SHARP EDGES AND CORNERS. ALL DIM PER ASME Y14.5 1994. DO NOT SCALE DRAWING

AUTOMATIC SYSTEMS

FICHER / FILENAME
NAM-SLIM950-IN-00-EN.DWG

LES INFORMATIONS CONTENUES SUR LES DESSINS DE ASA Inc. SONT CONFIDENTIELLES ET SONT LA PROPRIÉTÉ DE ASA Inc., TOUTES REPRODUCTIONS, DISTRIBUTIONS OU UTILISATIONS SONT INTERDITES SANS LA PERMISSION DE ASA Inc.

INFORMATION DISCLOSED HERE IS CONFIDENTIAL AND IS THE PROPERTY OF ASA Inc., ANY REPRODUCTION, DISTRIBUTION OR USE IS PROHIBITED WITHOUT A WRITTEN CONSENT BY ASA Inc.

TITRE TITLE SLIMLANE 950 - 2 LANE INSTALLATION		ECHELLE/SCALE N/A	FORMAT/SIZE B	DATE 2012/08/07	FEUILLE/SHEET 1	DE/OF 1
DESSINÉ PAR DRAWN BY JPS	VÉRIFIÉ PAR CHECKED BY OHL	NO. DE DESSIN/DWG. NO. NAM-SLIM950-IN-00-EN		REV D		