

ParkPlus101

Technical datasheet

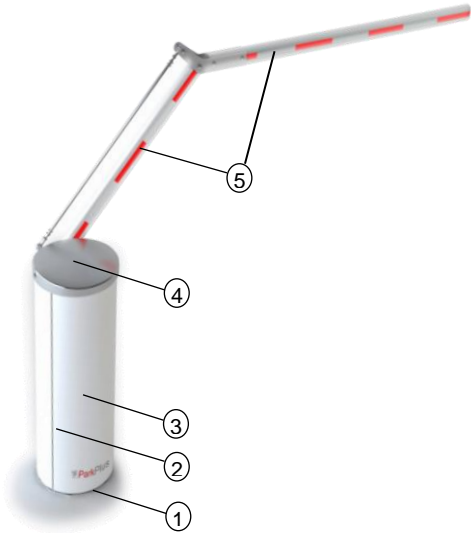
NAM-ParkPlus 101-FT-EN-G

AUTOMATIC
SYSTEMS

Access controlled...
Future secured

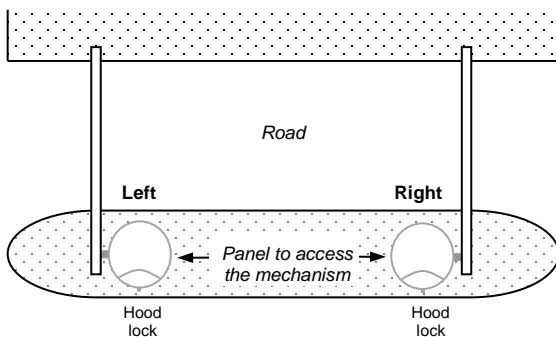
P ParkPlus

DESCRIPTION



Rising barrier **with articulated arm** to control vehicle passage in parking lots.

Configurations



- 1. Casted aluminum sole plate.**
- 2. Anodized aluminum frame.**
- 3. Aluminum housing panels**, white lacquered (RAL9010). Includes front access panel.
- 4. Casted aluminum hood**, locked with a key. LED function pictograms (red, green and orange) available in option.
- 5. Oval aluminum articulated arm**, profile dimensions 3 1/4" x 2" [82.5 x 51.5 mm], white lacquered (RAL9010), with red and white reflective strips.
- 6. Drive shaft**, with a 1 3/16" [30mm] diameter, fitted on a geared motor and a permanently lubricated bearing.
- 7. Electromechanical assembly including :**
 - Reversible three-phase asynchronous gear motor, ensuring protection of the mechanism in case of forced lifting of the arm due to fraudulent action. Maintaining the arm in its extreme positions (open and closed), and after a Stop command, is achieved by means of an electronic control position.
 - Variable frequency drive ensuring progressive accelerations and cushioned decelerations, for movement without vibrations, reversal of direction without jolts (reopening) and increased protection of the mechanism.
 - Electronic limitation of the electromechanical assembly torque allowing immediate stopping of the arm during closing in case of an obstruction.
 - Analog position sensor indicating the high and low positions and allowing control of the gear motor.
 - Balancing of the arm by means of a compensation spring, according to the weight of the arm.
- 8. Electronic control board** offering 8 digital inputs, 6 digital outputs, 3 relays, and 2 USB ports. Sample of the available features:
 - Arm position status (open or closed).
 - Presence detector status.
 - Swing-off arm sensor.
 - Technical fault information report.
 - Open panel or cover report.
 - Man/Machine interface with 3 integrated push buttons for opening, closing and operating mode of the barrier.

Ethernet port optional



STANDARD TECHNICAL CHARACTERISTICS

Electrical power supply	Single-phase 120 VAC 60Hz + ground <i>Note: not to be connected to an isolated ground network or a high impedance earthed industrial network</i>
Consumption	200 W without options
Motor	Three-phased 230V/90W
Free passage(L)	6.5' to 13.1' [2 to 4m], in increments of 19 ³ / ₄ " [0.5m]
Operating time :	Adjustable between 1,2 and 3 s (allowing the passage of 1500 vehicles/h)
Power failure configuration	Arm remain in position. It can be open and close manually.
Operating temperature	-14°F to 160°F [-10°C to 60°C]
Relative humidity	95% max, without condensation
MCBF (Mean cycles between failures)	5 000 000 cycles, <i>when respecting the recommended maintenance.</i>
IP	54
Weight	110lbs [50kg] (excluding arm) Arm: 3.5 to 7.0 lbs [1.6 to 3.2 kg]
Certification	ETL certified in compliance with the requirements of standard UL325 and CSA C22.2 N°247

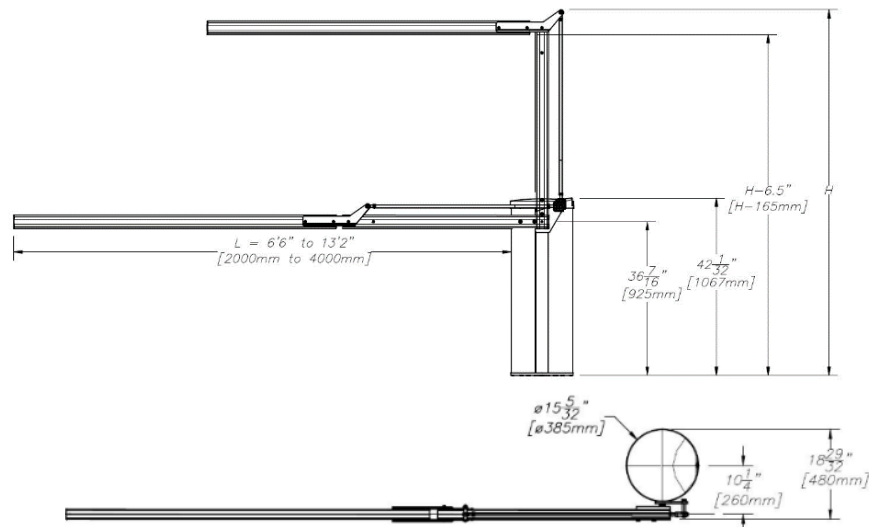


WORK NOT INCLUDED

- Special anchors (if the location requires it).
- Power supply.
- Wiring towards eventual external peripherals.

STANDARD DIMENSIONS (INCHES & MM)

Arm length	Articulation Height
Over 11'5" (3.5 m)	70-3/8" to 94-1/2" (1.8 m to 2.4 m)
11'5" (3.5 m) and under	70-3/8" to 98-7/16" (1.8 m to 2.5 m)



OPTIONS

1. Breakaway + arm breakaway detection.
2. Automatic opening setting in case of power failure.
3. Housing finish with other RAL paint colors.
4. Client logo on the housing panels.
5. Vehicle detection loops.
6. Presence detector for detection loop.
7. Photoelectric cell for opening-closing safety.
8. Photoelectric cell assembly on housing.
9. Photoelectric cell support post.
10. Sensor to detect open access panel or cover.
11. Extension card 6 inputs / 4 relays, 2 inputs dedicated to Presence detector connector.
12. Thermostatic heater for operation down to -49°F [-45°C].
13. Plastic traffic sign, 11¹³/₁₆" [300mm] diameter (STOP, One way, etc.).
14. Raised base.
15. Remote control.
16. LED traffic lights.
17. Support post for traffic lights.
18. Protective rubber profile under the arm.
19. Tip support.
20. Push button box for opening-closing-stop.
21. Key switch on housing for automatic-locked open-locked closed modes.
22. LED lighting on motor section of the arm.
23. Hood with LED function pictograms.
24. Logic board with Ethernet port.
25. Brake [not compatible with automatic opening setting].
26. Traffic light management board for third party traffic lights.



For restrictions on options please speak to your sales representative.



Refer to the installation drawing.