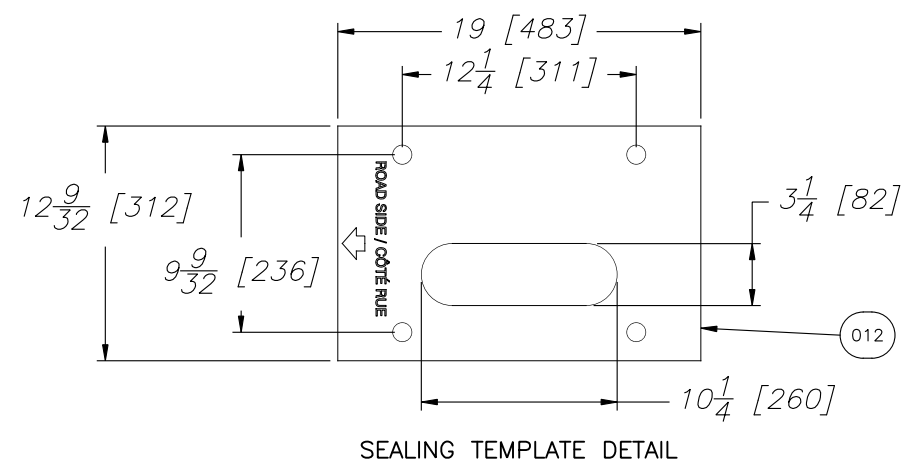
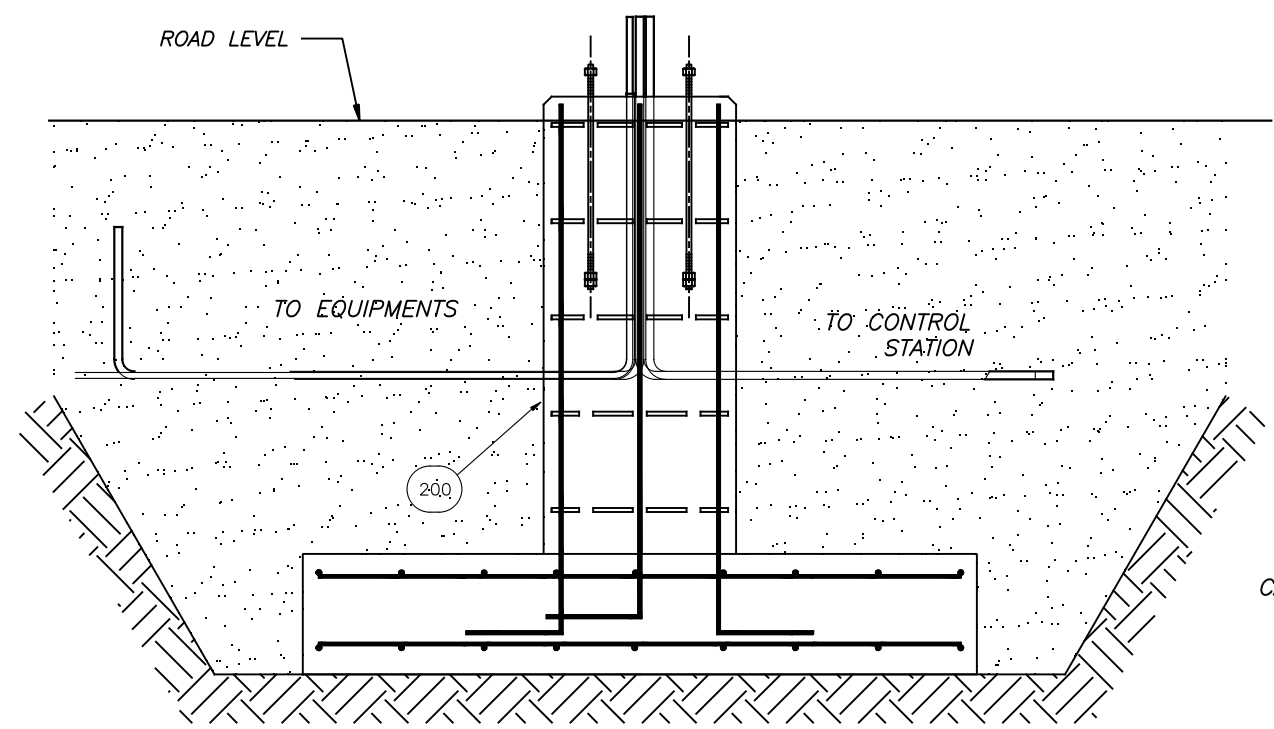


**CAUTION!!!**  
 - PLEASE NOTE THAT THE CABLE CONDUITS ARE NOT CENTERED ON THE BLG77 CONCRETE BASE.  
 - ON THE BASE SHOWN, THE ROAD CAN ONLY BE ON THE LEFT-HAND.

Parts List			
ITEM	QTY	DESCRIPTION	CONDUIT
012	1	SEALING TEMPLATE KIT	
200	1	BARRIER CONCRET BASE	
300	1	POWER SUPPLY CABLE AS PER THE ELECTRICAL DIAGRAM AND CODE	PVC 1"
301	1	CONTROL CABLE (24VDC)	PVC 1"
302	1	MAGNETIC TIP SUPPORT CABLE (IF INSTALLED)	PVC 1"
304	1	READER POST CABLE (IF INSTALLED)	PVC 1"
305	X	LOOP CABLE (24 VAC) (ONE PER LOOP)	PVC 1"

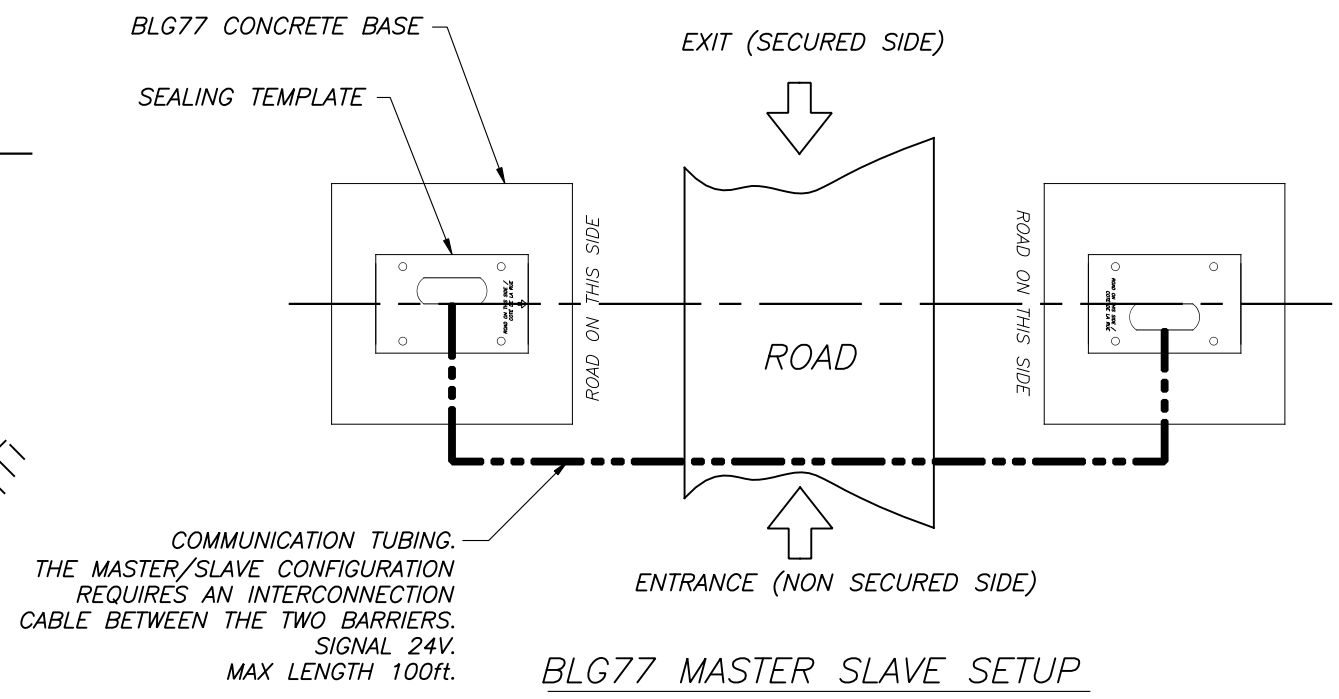


BLG77 SEALING TEMPLATE KIT : E/1910/103



BARRIER CONCRETE BASE DETAIL

BLG77 CONCRETE BASE DRAWING : 11164-2003-2004



BLG77 MASTER SLAVE SETUP

MATERIAU/MATERIAL N/A		FICHIER FILENAME NAM-BLG77-CONDUITS-IN-EN.DWG									
FABRICATION N/A		EDARBER & ENLEVER LES ARÊTES VIVES BREAK ALL SHARP EDGES AND CORNERS									
TRAITEMENT/TREATMENT N/A		FINI/FINISH N/A									
Nb./App. N/A		POIDS/WEIGHT SURFACE N/A									
LES DIMENSIONS SONT EN POUCHES. DIMENSIONS ARE IN INCHES		TOLERANCES .XXXX ± .0005 .XXX ± .005 .XX ± .01 FRACT. ± 1/64 ANGLES ± 1/2°									
LES INFORMATIONS CONTENUES SUR LES DESSINS DE ASA INC. SONT CONFIDENTIELLES ET SONT LA PROPRIÉTÉ DE ASA INC. TOUTES REPRODUCTIONS, DISTRIBUTIONS OU UTILISATIONS SONT INTERDITES SANS LA PERMISSION ÉCRITE DE ASA INC.		SAUF SI INDICIÉS UNLESS OTHERWISE NOTED									
INFORMATION DISCLOSED HERE IS CONFIDENTIAL AND IS THE PROPERTY OF ASA INC., ANY REPRODUCTION, DISTRIBUTION OR USE IS PROHIBITED WITHOUT A WRITTEN CONSENT BY ASA INC.		<table border="1"> <tr> <th>REV.</th> <th>DATE</th> <th>MODIFICATIONS/CHANGES</th> <th>PAR/BY</th> </tr> <tr> <td> </td> <td> </td> <td> </td> <td> </td> </tr> </table>		REV.	DATE	MODIFICATIONS/CHANGES	PAR/BY				
REV.	DATE	MODIFICATIONS/CHANGES	PAR/BY								
		TITRE STANDARD CONDUIT LAYOUT BLG77 TITLE DESSINÉ PAR OHL ECHELLE/SCALE DATE FEUILLE/SHEET DE/OF DRAWN BY N/A 2017/05/15 1 1 VÉRIFIÉ PAR - NO. DE DESSIN/DWG. NO. REV. CHECKED BY - NAM-BLG77-CONDUITS-IN-EN A									