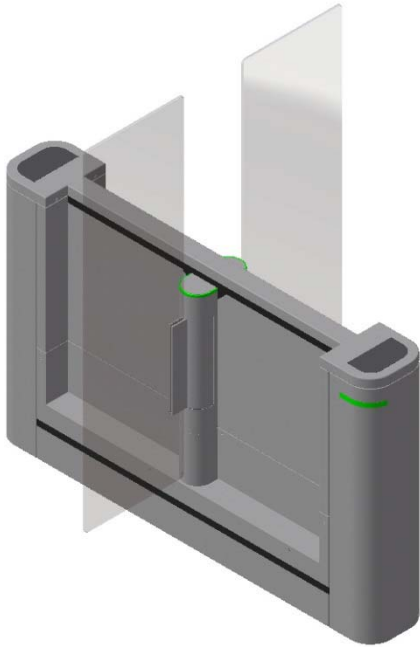


|| SlimLane



DESCRIPTION

Self-supporting kinematic steel frame with RoHS anti-corrosion zinc plating treatment.

Brushed #4 AISI 304L stainless steel housing, side panels and top cover.

Clear, 3/8 in (10 thick) tempered monolithic glass obstacles, swinging in the direct of user passage.

Rounded end caps with plexi on top.

Orientation and function pictograms indicating gate and passage status to the user.

OPTIONS

Barcode card reader integration on top.

Proximity reader on the top of the unit.

Biometric reader on end cap.

Multiples choices of glass obstacle height: 47", 59" and 67".

The SlimLane NK swing door security entrance lane offers a high bidirectional throughput and uncompromising security.

With elegant design, the SlimLane NK is designed to integrate perfectly into any architectural environment while allowing the integration of multiple peripherals

Equipped with a high processing capacity and an exclusive detection system, the SlimLane NK guarantees accurate user tracking and prevents any unauthorized access.

The SlimLane NK is a modular product that can be installed as a single lane or in a multi-lane array.

The SlimLane NK option is only available on short cabinets.

For standard information, please refer to the SlimLane Datasheet (NAM-SLIM 950-DS-EN)

STANDARD DIMENSIONS (inches / mm)

