

# SLIMLITE970

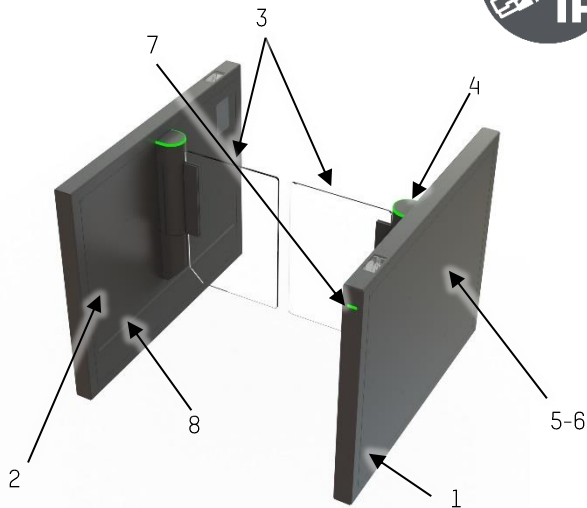
Technical datasheet  
NAM-SLIMLT970-DS-EN-C

**AS** **AUTOMATIC**  
SYSTEMS

Access controlled...  
Future secured

## DESCRIPTION

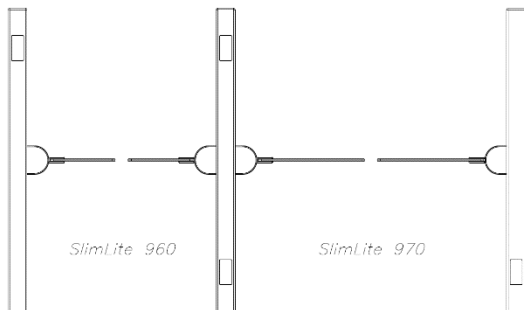
// **SlimLite**



The SlimLite 970 double swing door security entrance lane offers a high bidirectional throughput while maintaining the safety and security of the users.

With its small footprint, the SlimLite 970 is designed to integrate within most architectural styles.


Equipped with high processing capacity and an exclusive detection system, the SlimLite 970 guarantees accurate user tracking and prevents unauthorized use.



The SlimLite 970 is a modular product that can be installed as a single lane or a multi-lane array. It can be combined with the SlimLite 960 standard width lane model.

1. **Self-supporting steel frame** with black anti-corrosion powder coated paint. The frame contains the electromechanical drive assembly for the swinging obstacle and the electronic control boards.
2. **Black powder coated steel panels** are fastened to the frame for access to the internal components.
3. **Clear, 3/8 in (10 mm) thick mobile glass obstacles**, swinging in the direction of the users' passage.
4. **Electromechanical drive unit consisting of:**
  - A DC permanent magnet motor with an epicyclic gearbox.
  - A controller which provides progressive accelerations and decelerations of the obstacles, for smooth movement and enhanced user safety.
  - A geared electromagnetic brake for locking of the obstacles in the event of forced entry attempts.
  - A sensor to monitor the obstacles position.
  - EGRESS standard operating mode: obstacles open in the direction of egress with a simple push.
  - Battery backup for automatic opening in case of power failure in egress direction.
5. **AS1190 logic control board**, equipped with ARM 9 technology and a Linux operating system, ensuring advanced throughput management. An embedded web server, accessible through a web browser, offers an interface for the configuration of functional gate parameters, as well as a complete diagnostic and maintenance tool.
6. **Transfer of information through an Ethernet interface, USB and dry contacts:** passage authorization, passage information, reader locking, fraud, equipment failure ...
7. **Function pictograms indicating gate and passage status to the user.**
8. **Proprietary DIRAS detection system**, consisting of a high-density matrix of infrared transmitter/receiver photocell beams. It follows users' progression through the turnstile, as well as ensuring their safety during opening/closing of the mobile obstacles.

## STANDARD TECHNICAL CHARACTERISTICS

Power requirement	15A @ 24 VDC 6A @ 120VAC (optional)
Consumption per lane	40 W (At rest) 300 W (nominal)
Motor	24 VDC – 93 W
Passageway (W)	36 in (914 mm)
Min opening and closing times	0.9 to 1.2 s (Depending on the access control system reactivity and the speed of users)
Ambient operating T°	32 to 122°F (0 to +50°C)
Ambient relative humidity in operation	< 95%, no condensation
Sound level	55 dB
Weight	141 lbs (64 kg) (per left/right unit) 209 lbs (95 kg) (per intermediate unit)
IP	40
Certification	 As per UL 2593, File E210350

### PRECAUTIONS FOR USE

- For security reasons, children (users smaller than 39" tall) must be supervised by an adult at all times when in the vicinity of the unit and during passage through the lane.
- A child must absolutely precede the accompanying adult.

## OPTIONS

1. 120VAC Power supply
2. SECURI-SAFE operating mode: electromechanical locking of the obstacles in case of forced entry attempt in any passage direction
3. Higher glass option: 47" [1194mm]
4. Standard side reader integration within housing
5. Top barcode reader integration.\*
6. Customized logo on obstacle
7. Monitoring panel (Smart'n Slim / Smart Touch / manual CP)
8. Connectivity kit for Ethernet connection of one or more lanes to the network
9. Customized color
10. Raised base
11. Ramp



For restrictions on options please speak to your sales representative.

\* Qscant-060-ASA only.

### WORK TO BE PROVIDED BY OTHERS (NOT SUPPLIED)

- Performing the electrical interconnection and connections to the power grid.
- Performing the connections to the access control systems.
- Anchoring the equipment with the appropriate hardware for your floor type.



Refer to the installation drawing

