

NOTES:

1- TRILANE NOTES:

-ALL WIRING MUST MEET OR EXCEED STANDARD CODES AND MUST BE INSTALLED BY A CERTIFIED TECHNICIAN.

-1/2" X 5.5" ANCHORING FURNISHED BY ASA. (DRILL SIZE  $\varnothing$ 1/2")

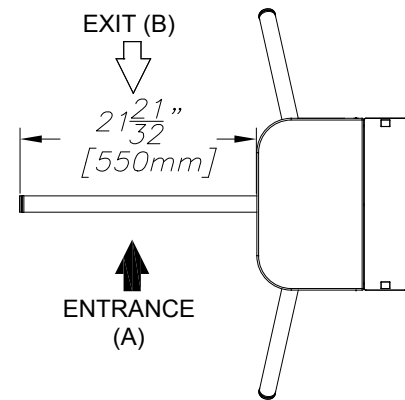
-RESPECT ALL STANDARDS AND LAWS APPLICABLE WHERE THE PRODUCT WILL BE INSTALLED.

2-CABLE NOTES:

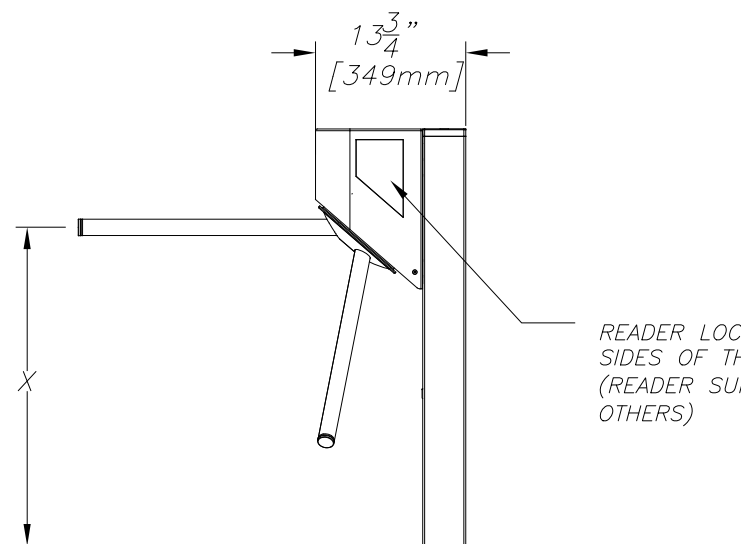
-THE INSTALLATION OF THE CABLING IS TO BE COMPLETED BY THE CUSOMER

-EACH CABLE SHOULD HAVE 10' OF CABLING ABOVE GROUND FOR CONNECTIONS

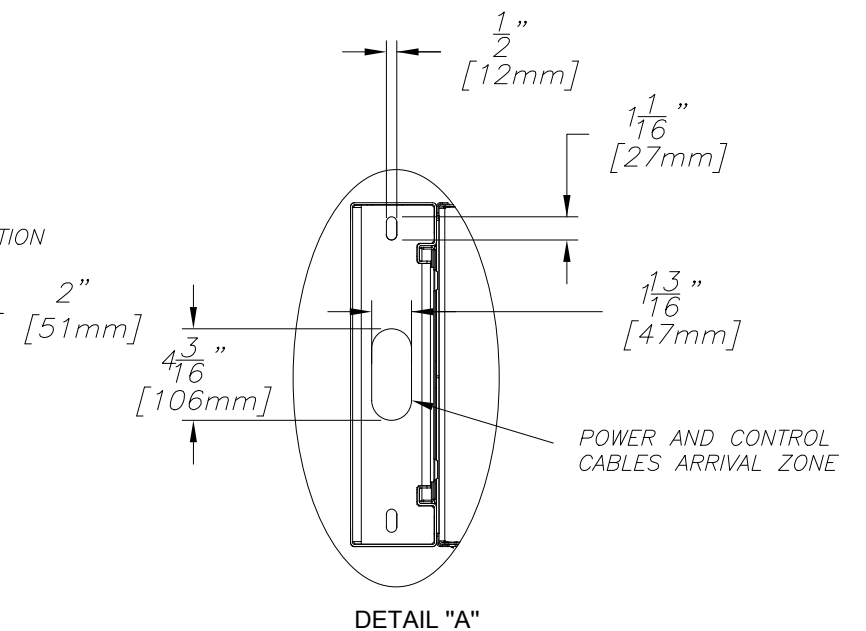
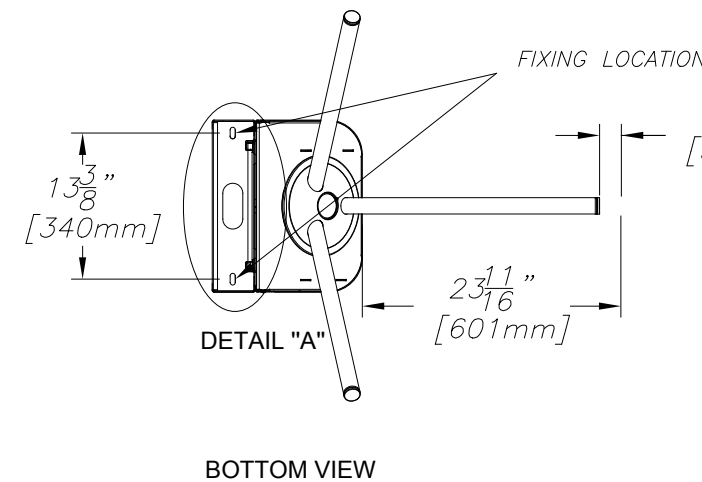
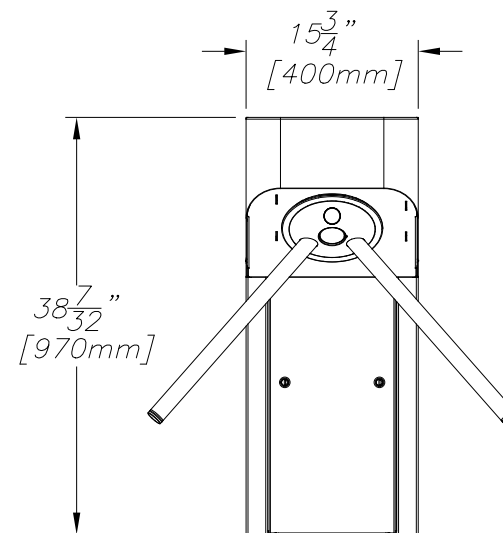
-A PULL CABLE MUST BE CONSIDERED BETWEEN EACH TURNSTILE



DIMENSIONS	X
COLLAPSIBLE ARM	28 15/16" [735mm]
STANDARD ARM	29 1/8" [740mm]



READER LOCATION ON BOTH SIDES OF THE UNIT (READER SUPPLIED BY OTHERS)



TO ELECTRICAL PANEL  
1 CIRCUIT IS NEEDED  
1 CIRCUIT BY LANE  
CONDUIT: PVC 1/2" OR 3/4"

TO SECURITY DESK  
(COMMUNICATION CABLE)  
CONDUIT: PVC 1/2" OR 3/4"

AUTOMATIC SYSTEMS MAKES NO REPRESENTATION AS TO THE PROPER POSITIONING OF THE TURNSTILES AT THE INSTALLATION LOCATION. ESTABLISHING THE LAYOUT AND PLACEMENT OF THE UNIT(S) AND DETERMINING COMPLIANCE WITH THE APPLICABLE BUILDING CODES, OTHER CODES, LAWS AND REGULATIONS IS THE SOLE RESPONSIBILITY OF THE PURCHASER. INSTALLATION MUST BE PERFORMED BY A QUALIFIED INSTALLER FOLLOWING MANUFACTURER'S INSTRUCTIONS, OTHERWISE AUTOMATIC SYSTEMS' WARRANTIES MAY BE VOID.

REV	DATE	MODIFICATIONS/CHANGES	PAR/BY
B	21/07/2020	MODEL UPDATED	EDO/VBO

NB./App.	POIDS/WEIGHT	SURFACE

TOLERANCES	SAUF SI INDIQUÉS UNLESS OTHERWISE NOTED
.XXX	± .005
.XX	± .010
.X	± .015
FRAC.	± 1/32
ANGLES	± 1/2°

TITRE	ÉCHELLE/SCALE	FORMAT/SIZE	DATE	FEUILLE/SHEET	DE/OF
IMPLEMENTATION DRAWING TL1	N/A	B	2020/05/26	1	1



FICHER / FILENAME  
NAM-TL1-IN-001-EN.DWG

LES INFORMATIONS CONTENUES SUR LES DESSINS DE ASA Inc. SONT CONFIDENTIELLES ET SONT LA PROPRIÉTÉ DE ASA Inc., TOUTES REPRODUCTIONS, DISTRIBUTIONS OU UTILISATIONS SONT INTERDITES SANS LA PERMISSION DE ASA Inc.

INFORMATION DISCLOSED HERE IS CONFIDENTIAL AND IS THE PROPERTY OF ASA Inc., ANY REPRODUCTION, DISTRIBUTION OR USE IS PROHIBITED WITHOUT A WRITTEN CONSENT BY ASA Inc.

DESSINÉ PAR  
DRAWN BY VBO

VÉRIFIÉ PAR  
CHECKED BY JPS