

1- TRILANE NOTES:

-ALL WIRING MUST MEET OR EXCEED STANDARDS, CODES AND MUST BE INSTALLED BY A CERTIFIED TECHNICIAN.

-1/2 " X 5.5" ANCHORING FURNISHED BY ASA. (DRILL SIZE ϕ 1/2")

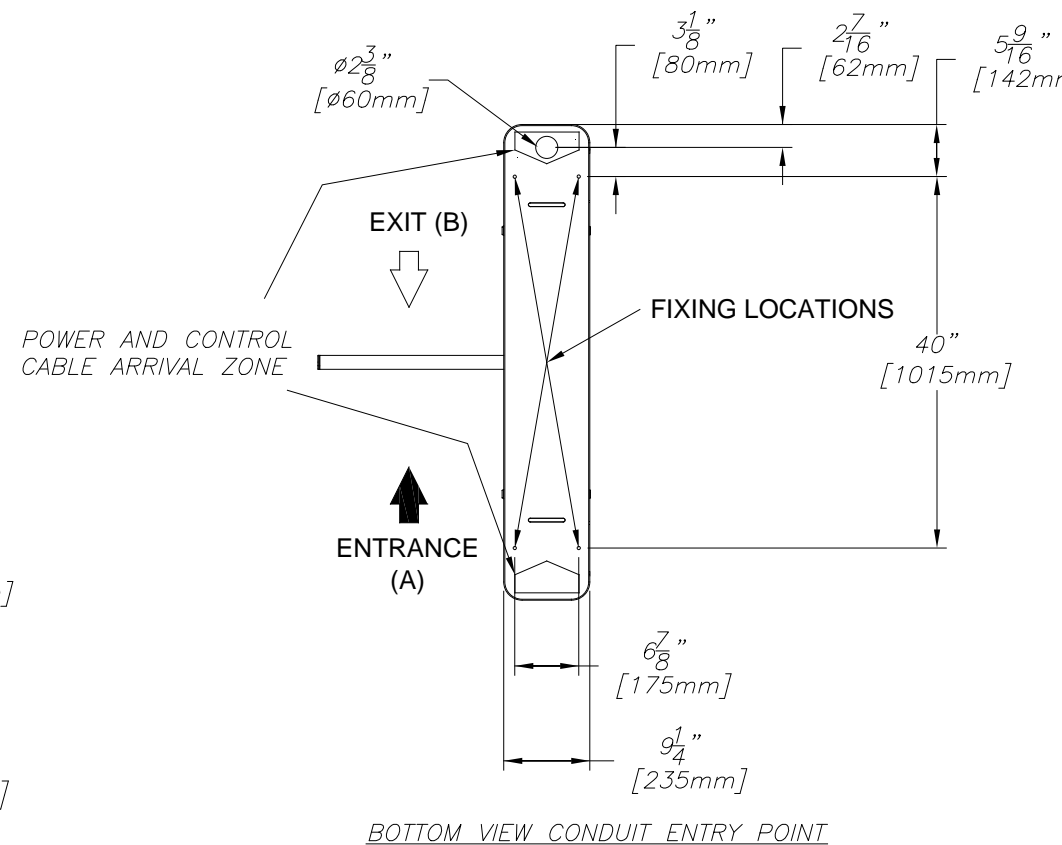
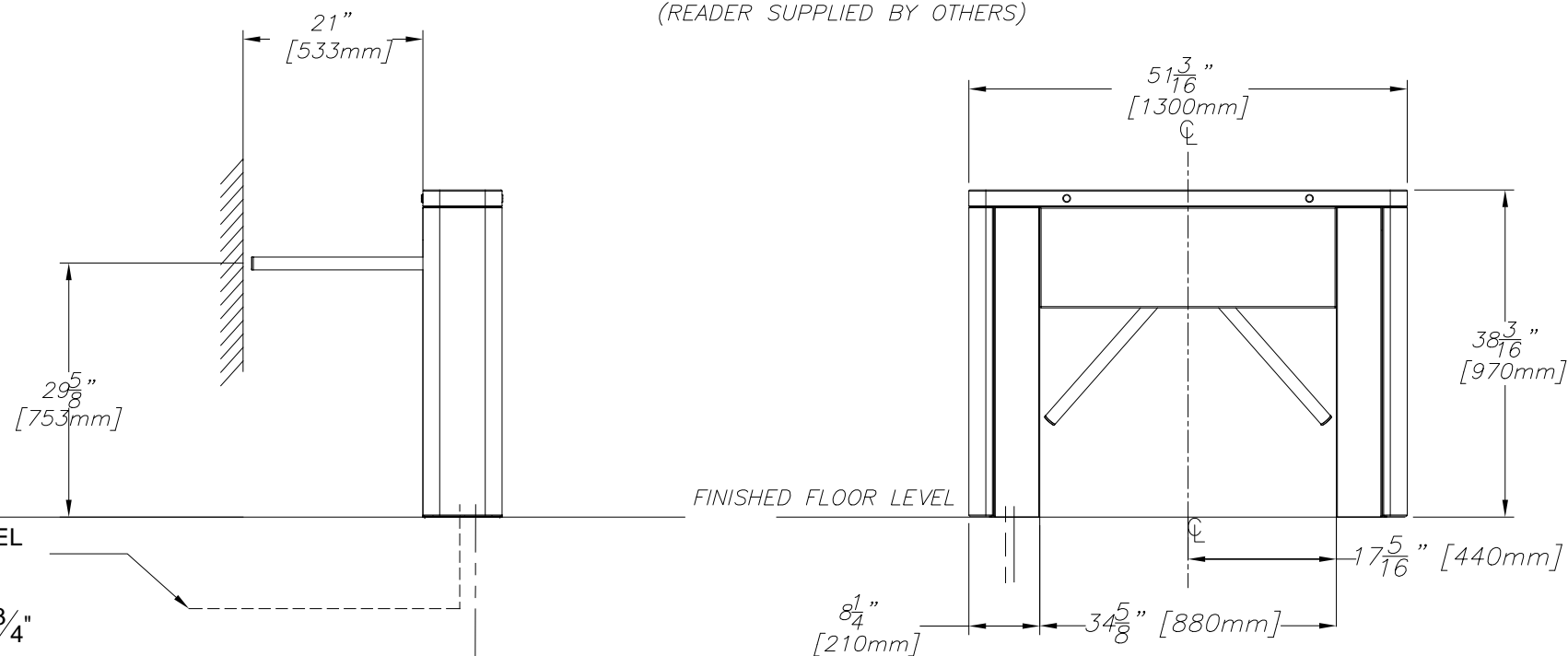
-RESPECT ALL STANDARDS AND LAWS APPLICABLE WHERE THE PRODUCT WILL BE INSTALLED.

CABLE NOTE:

-THIS WORK IS TO BE CONSIDERED BY THE CUSTOMER.

-ALL CABLES MUST EXCEED THE GROUND BY 10'.

-A PULL CABLE MUST BE CONSIDERED BETWEEN EACH GATE.



TO ELECTRICAL PANEL
1 CIRCUIT IS NEEDED
1 CIRCUIT BY LANE
CONDUIT: PVC 1/2" OR 3/4"

TO SECURITY DESK
(COMMUNICATION CABLE)
CONDUIT: PVC 1/2" OR 3/4"

AUTOMATIC SYSTEMS MAKES NO REPRESENTATION AS TO THE PROPER POSITIONING OF THE TURNSTILES AT THE INSTALLATION LOCATION. ESTABLISHING THE LAYOUT AND PLACEMENT OF THE UNIT(S) AND DETERMINING COMPLIANCE WITH THE APPLICABLE BUILDING CODES, OTHER CODES, LAWS AND REGULATIONS IS THE SOLE RESPONSIBILITY OF THE PURCHASER. INSTALLATION MUST BE PERFORMED BY A QUALIFIED INSTALLER FOLLOWING MANUFACTURER'S INSTRUCTIONS, OTHERWISE AUTOMATIC SYSTEMS' WARRANTIES MAY BE VOID.

REV	DATE	MODIFICATIONS/CHANGES	PAR/BY
B	2020/01/13	ADDED DIMENSIONS AND ELECTRICAL SPECIFICATIONS	ZGR/OHL
REVISIONS			

MATERIAU/MATERIAL		
TRAITEMENT/TREATMENT		
FINI/FINISH		
NB./App.	POIDS/WEIGHT	SURFACE
LES INFORMATIONS CONTENUES SUR LES DESSINS DE ASA Inc. SONT CONFIDENTIELLES ET SONT LA PROPRIÉTÉ DE ASA Inc., TOUTES REPRODUCTIONS, DISTRIBUTIONS OU UTILISATIONS SONT INTERDITES SANS LA PERMISSION DE ASA Inc.		
INFORMATION DISCLOSED HERE IS CONFIDENTIAL AND IS THE PROPERTY OF ASA Inc., ANY REPRODUCTION, DISTRIBUTION OR USE IS PROHIBITED WITHOUT A WRITTEN CONSENT BY ASA Inc.		

LES DIMENSIONS SONT EN POUÇES / DIMENSIONS ARE IN INCHES		EBARBER & ENLEVER LES ARÊTES VIVES. DIM SELON ASME Y14.5 1994. NE PAS MESURER SUR LE DESSIN	
TOLERANCES		BREAK ALL SHARP EDGES AND CORNERS. ALL DIM PER ASME Y14.5 1994. DO NOT SCALE DRAWING	
.XXX	± .005	SAUF SI INDIQUÉS UNLESS OTHERWISE NOTED	
.XX	± .010		
.X	± .015		
FRAC.	± 1/32		
ANGLES	± 1/2°		
TITRE INSTALLATION TL2 1 LANE		ECHELLE/SCALE N/A	
TITRE		FORMAT/SIZE B	
DESSINÉ PAR ZGR		DATE 2020/01/10	
VERIFIÉ PAR JPS		FEUILLE/SHEET 1	
NAM-TL2-IN-019-EN		DE/OF 1	
REV B		NO. DE DESSIN/DWG. NO. NAM-TL2-IN-019-EN	

AUTOMATIC SYSTEMS

FICHER / FILENAME
NAM-TL2-IN-019-EN.DWG