

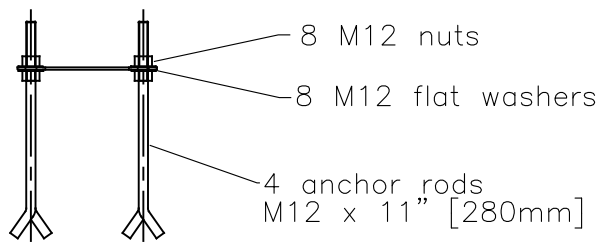
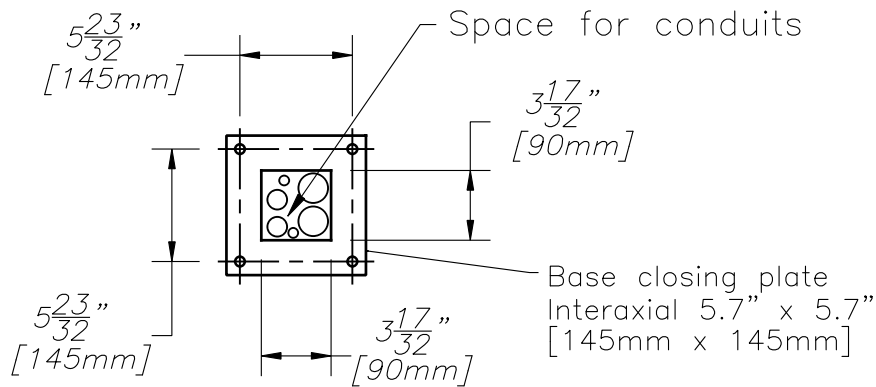
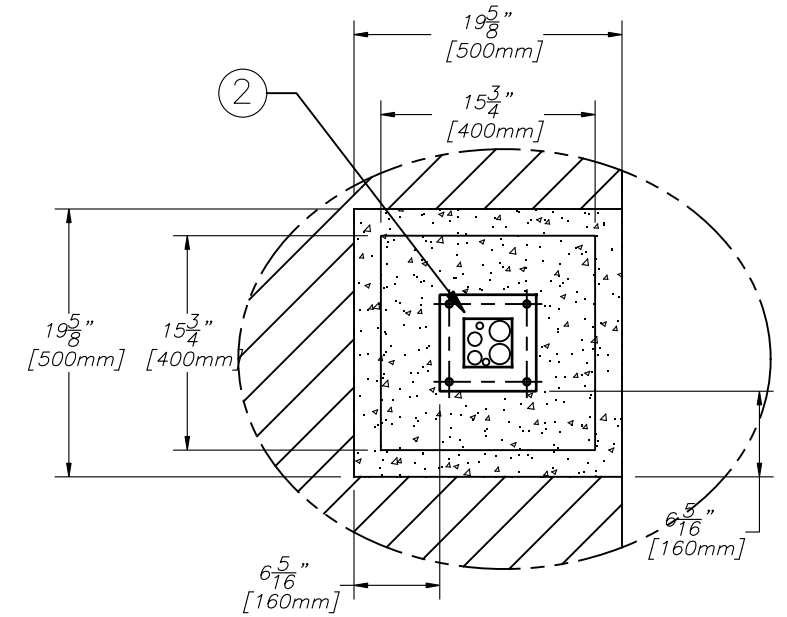
NOTES:

- ENSURE PROPER DRAINAGE OF SOIL AROUND THE NEW FOUNDATION. WATER SHALL NOT ACCUMULATE AROUND THE FOUNDATION
- CONCRETE CHARACTERISTICS
 - COMPRESSIVE STRENGTH AT 28 DAYS : 4350 psi [30MPa]
 - MAXIMUM AGGREGATE : $\phi 3/4"$ [$\phi 19mm$]
 - MAX WATER/CEMENT RATIO : 0.50
 - SLUMP : $3" \pm 1"$ [$76mm \pm 25mm$]
 - ENTRAINED AIR : 5 TO 8%
- CHARACTERISTICS OF NON SHRINK CEMENT GROUT :
 - COMPRESSIVE STRENGTH AT 28 DAYS : 7252 psi [50 MPa]
 - ACCEPTED PRODUCT : SIKAGROUT 212 OR EQUIVALENT APPROVED BY THE OWNER ENGINEER
- VIBRATE CONCRETE WHILE PLACING.
- IN AREAS WHERE GROUND FREEZES, THE CONCRETE BASE MUST BE DEEP ENOUGH TO PREVENT IT FROM MOVING.

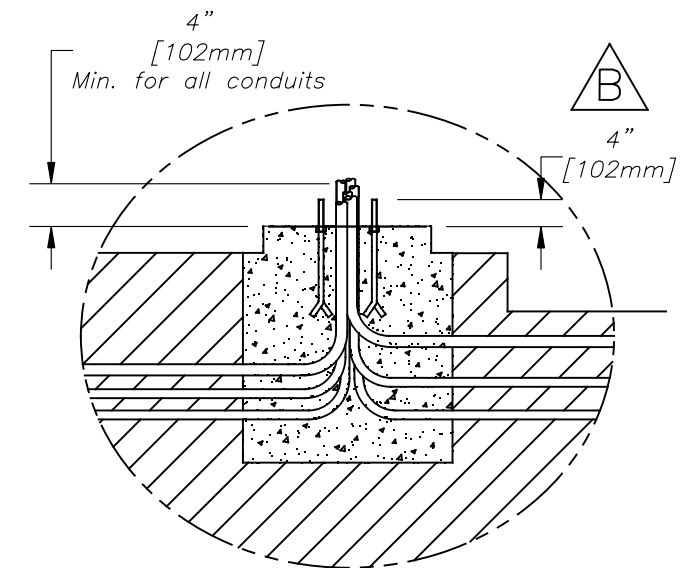
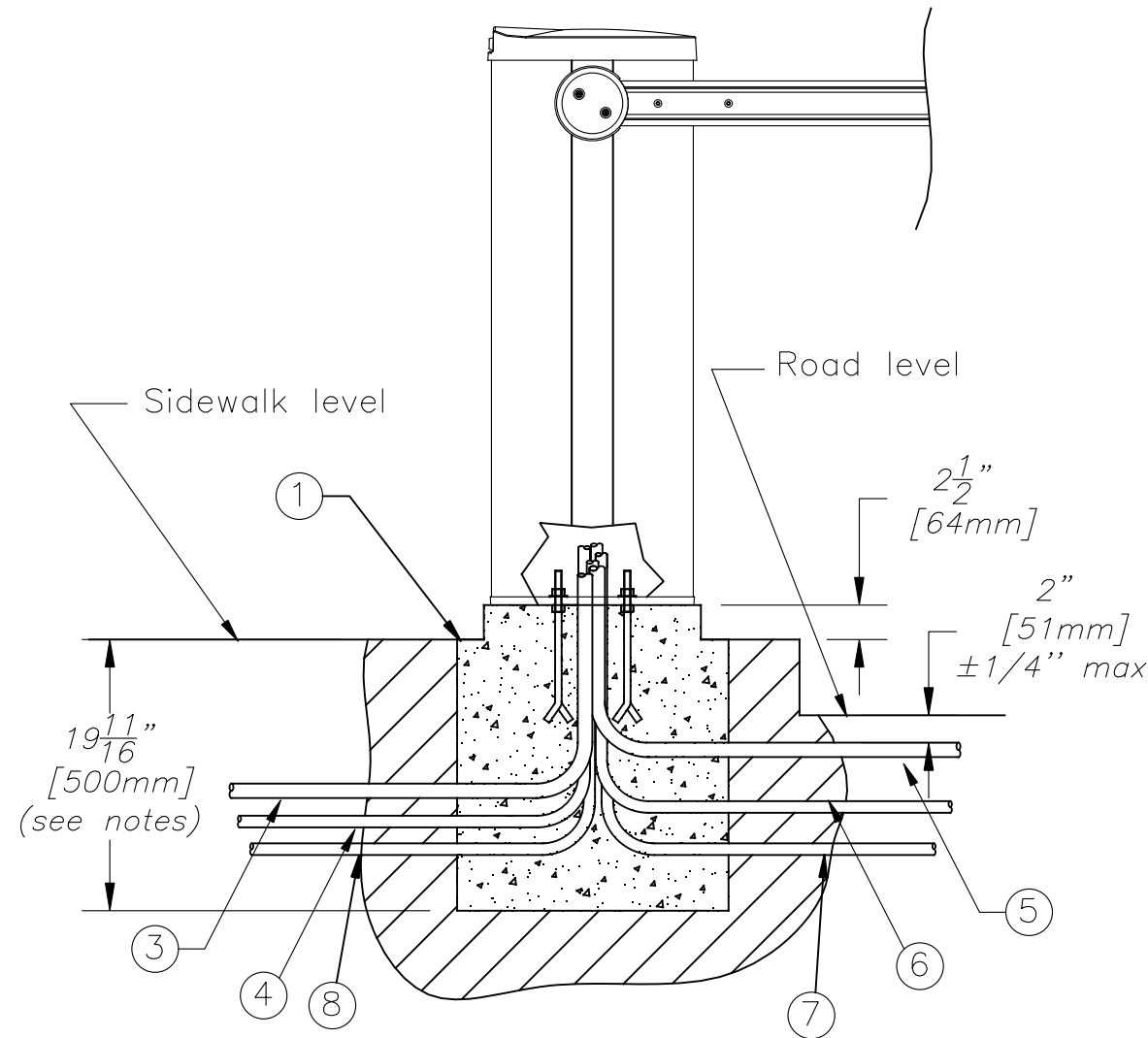
DESCRIPTION

- CONCRETE BASE
- INSTALLATION TEMPLATE MUST BE INSTALLED BEFORE THE CONCRETE IS MADE.
- $\phi 1.5"$ CONDUIT TO THE GUARD HOUSE.
- $\phi 1"$ CONDUIT FOR DETECTING LOOP (If required 1 conduit per loop).
- $\phi 1.5"$ CONDUIT TO THE POWER SUPPLY CABINET, 120V AC, 15 AMPS MAX CIRCUIT. (Ref. : 3 wires, 14 ga).
- $\phi 1"$ CONDUIT TO ELECTROMAGNETIC TIP SUPPORT (If required).
- $\phi 1/2"$ CONDUIT FOR THE EXIT CONTROL POST (If required).
- $\phi 1/2"$ CONDUIT FOR THE ENTRANCE CONTROL POST (If required).

BEFORE THE INSTALLATION OF THE BARRIER, THE WIRE MUST BE 4 FEET LONG FROM THE TOP OF THE CONCRETE BASE.



Installation template details



WARNING

- RESPECT ALL LAWS AND STANDARDS APPLICABLE WHERE THE BARRIER WILL BE INSTALLED.
- READ THE INSTALLATION AND USER MANUAL BEFORE INSTALLING AND USING THE BARRIER.
- THE BARRIER MUST BE INSTALLED BY A TRAINED OR CERTIFIED WORKER.

| REV | DATE | MODIFICATIONS/CHANGES | PAR/BY |
|-----|------------|------------------------------|---------|
| B | 2016-11-21 | ANCHOR PROTRUSION CORRECTION | SSA/MTO |

| | |
|----------------------|----------------------|
| MATERIAU/MATERIAL | - |
| TRAITEMENT/TREATMENT | - |
| FINI/FINISH | - |
| NB./App. | POIDS/WEIGHT SURFACE |
| - | - - |

LES INFORMATIONS CONTENUES SUR LES DESSINS DE ASA Inc. SONT CONFIDENTIELLES ET SONT LA PROPRIÉTÉ DE ASA Inc., TOUTES REPRODUCTIONS, DISTRIBUTIONS OU UTILISATIONS SONT INTERDITES SANS LA PERMISSION DE ASA Inc.

INFORMATION DISCLOSED HERE IS CONFIDENTIAL AND IS THE PROPERTY OF ASA Inc., ANY REPRODUCTION, DISTRIBUTION OR USE IS PROHIBITED WITHOUT A WRITTEN CONSENT BY ASA Inc.

| | |
|--|---|
| LES DIMENSIONS SONT EN POUÇES / DIMENSIONS ARE IN INCHES | EBARBER & ENLEVER LES ARÊTES VIVES. DIM SELON ASME Y14.5 1994. NE PAS MESURER SUR LE DESSIN |
| TOLERANCES | BREAK ALL SHARP EDGES AND CORNERS. ALL DIM PER ASME Y14.5 1994. DO NOT SCALE DRAWING |
| .XXX ± .005 | |
| .XX ± .010 | |
| .X ± .015 | |
| FRAC. ± 1/32 | |
| ANGLES ± 1/2° | |
| SAUF SI INDICQUÉS UNLESS OTHERWISE NOTED | |

AUTOMATIC SYSTEMS
LABOR GROUP

FICHER / FILENAME
NAM-PARKPLUS10X-IN-01-EN.DWG

TITRE
PARKPLUS 10X CONCRETE BASE INSTALLATION

ÉCHELLE/SCALE
N/A

FORMAT/SIZE
B

DATE
2013/07/19

FEUILLE/SHEET
1

DE/OF
1

NO. DE DESSIN/DWG. NO.
NAM-PARKPLUS10X-IN-01-EN

REV
B

DESSINÉ PAR
JPS

VÉRIFIÉ PAR
SSA